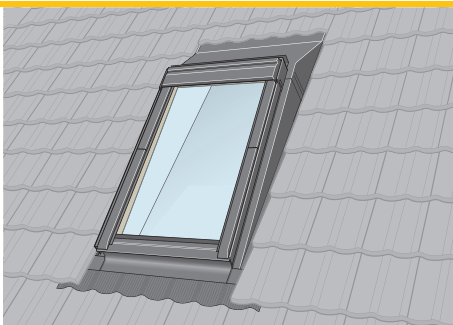
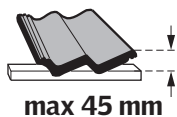


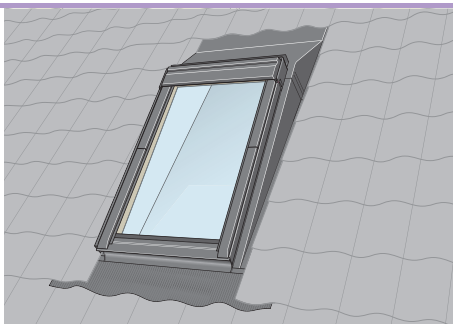
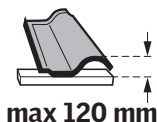
# EAZ/EAW/EAS

## EAZ



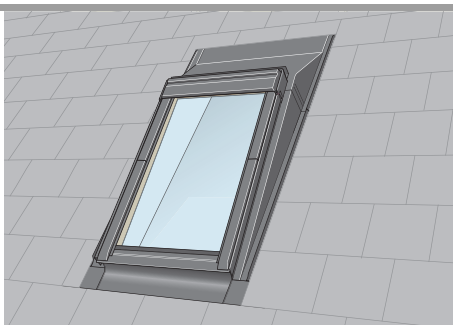
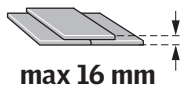
Pages 2-12  
Pages 14-19

## EAW



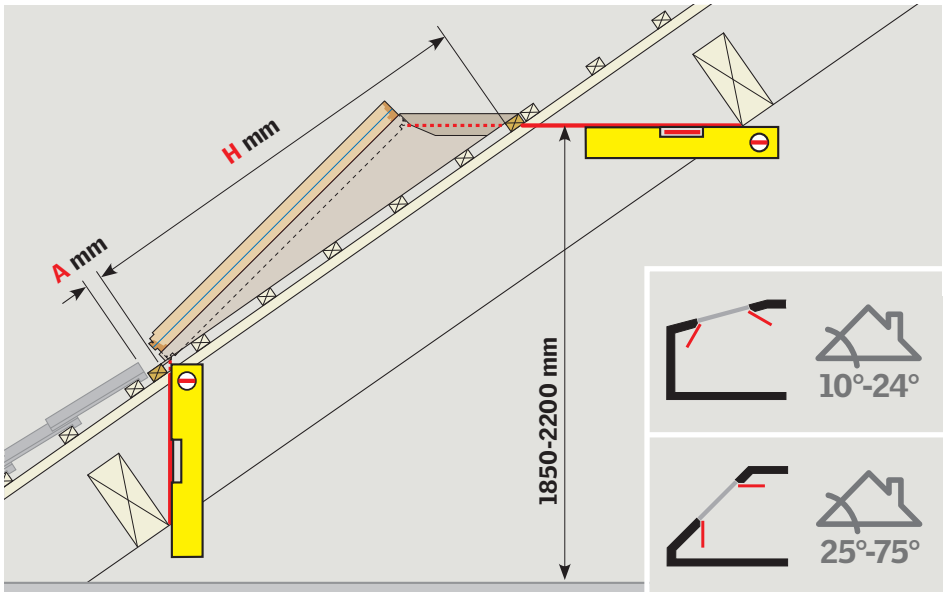
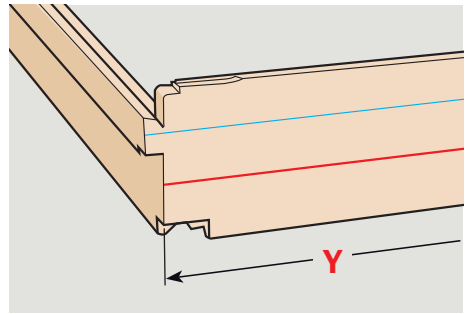
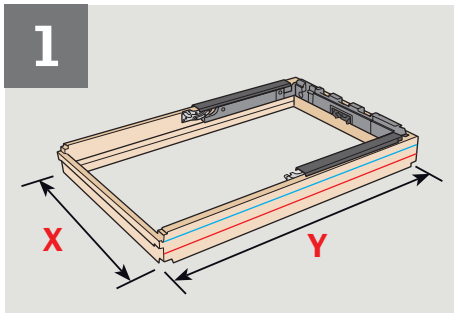
Pages 2-12  
Pages 20-25

## EAS

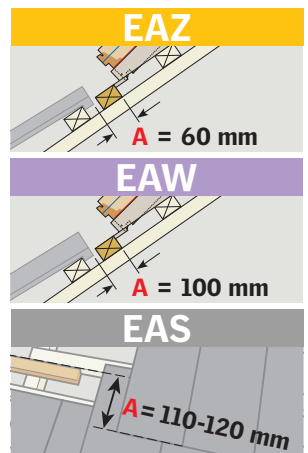


Pages 2-12  
Pages 26-31

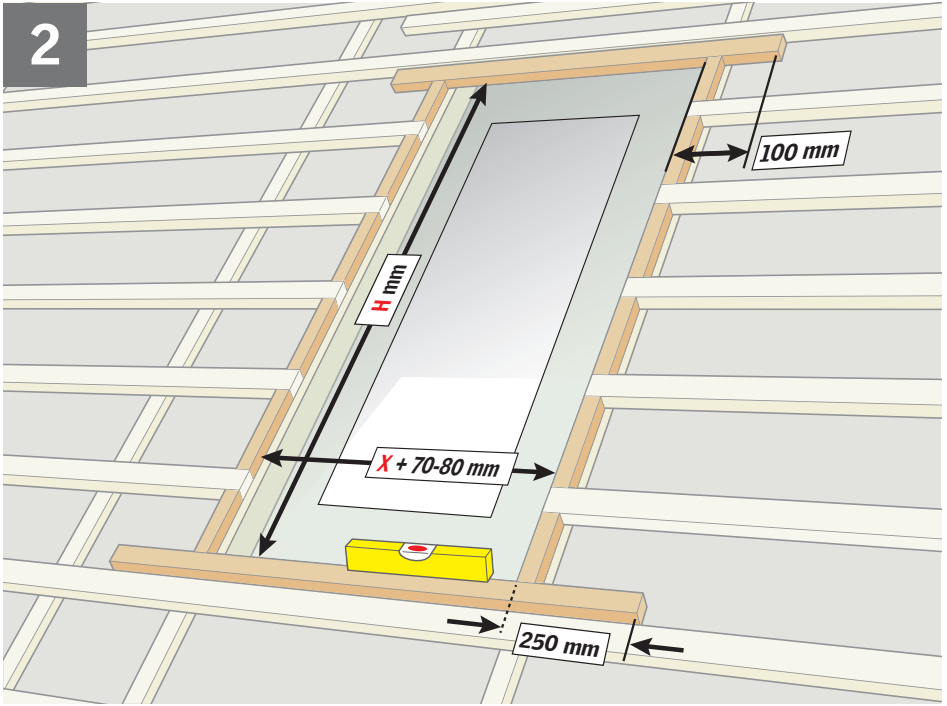




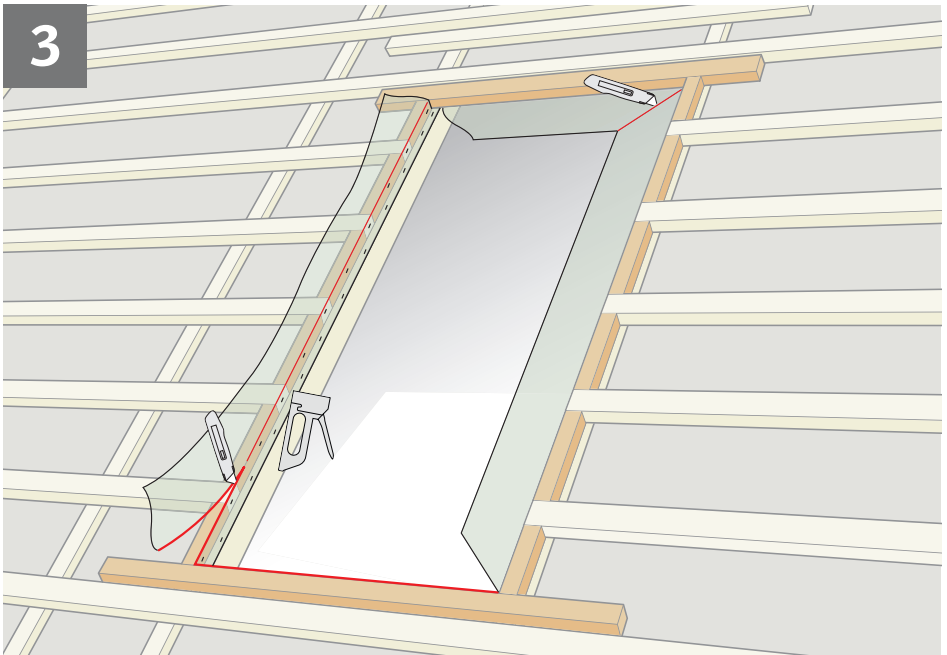
<b>Y</b>	<b>H</b>
980 mm (-K04)	1360 mm
1180 mm (-K06)	1630 mm
1400 mm (-K08)	1930 mm
1600 mm (-K10)	2200 mm



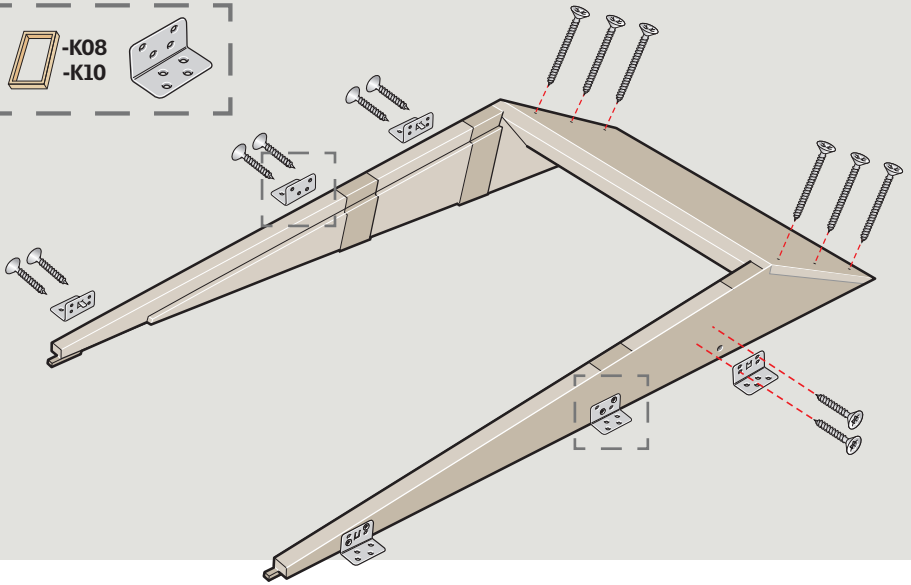
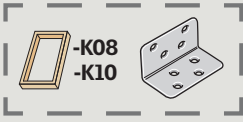
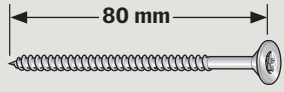
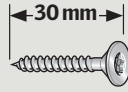
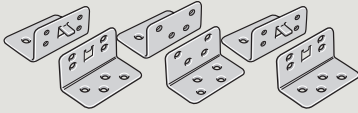
2



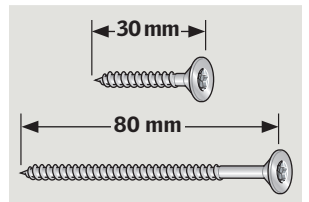
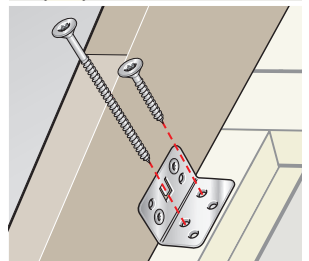
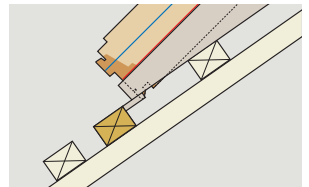
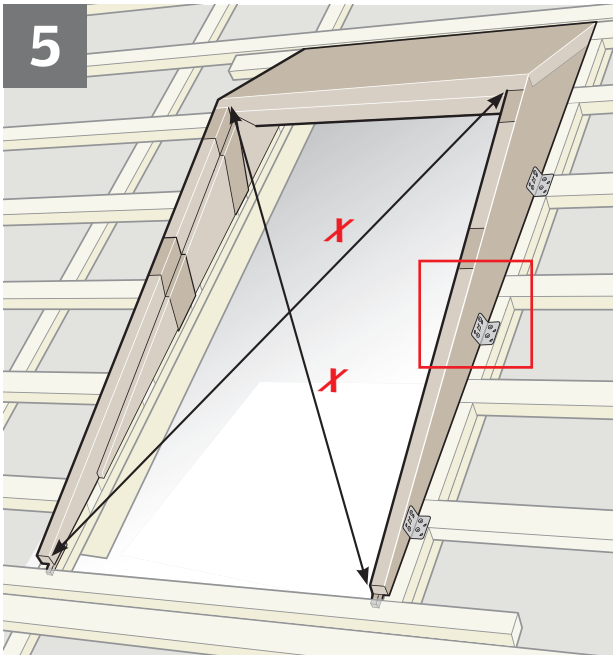
3



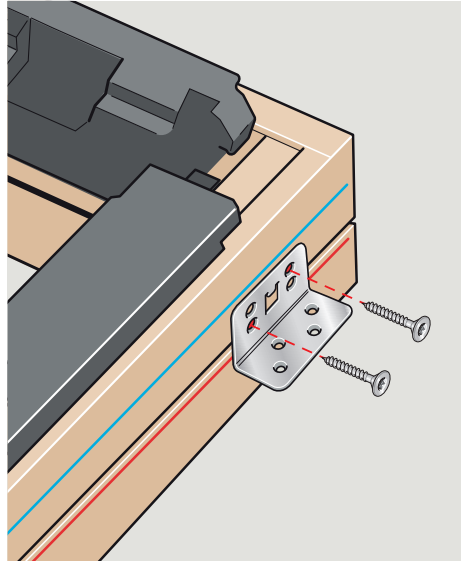
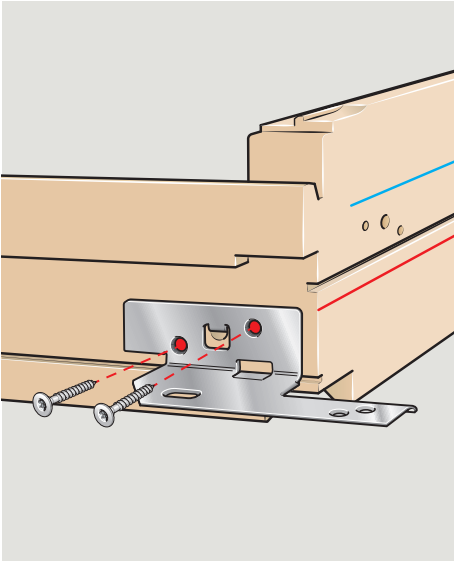
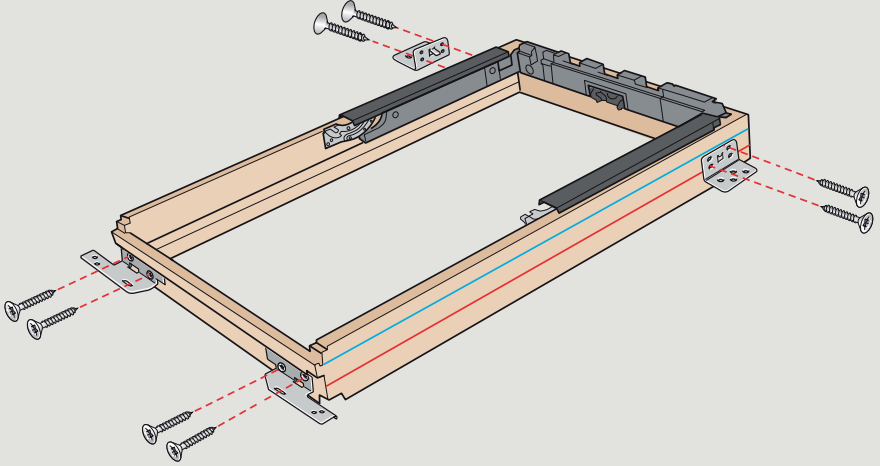
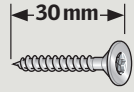
4

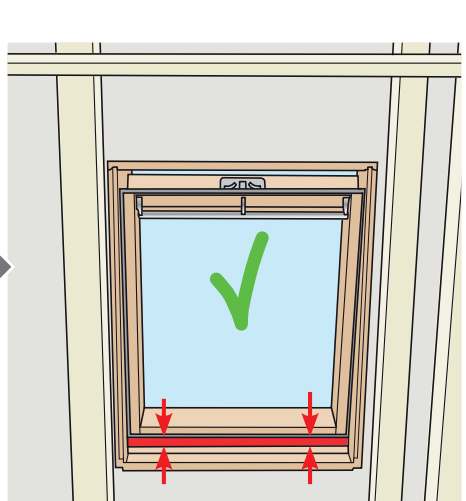
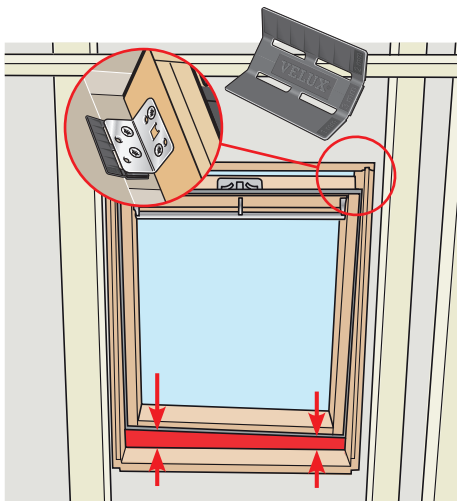
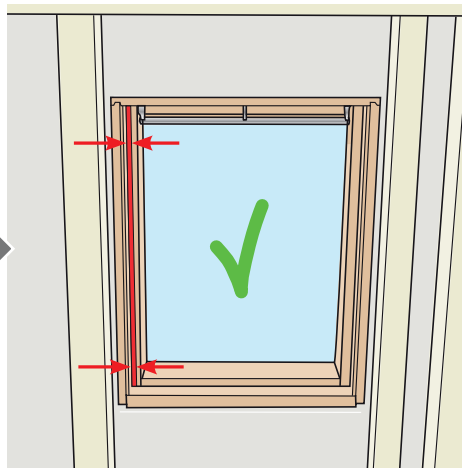
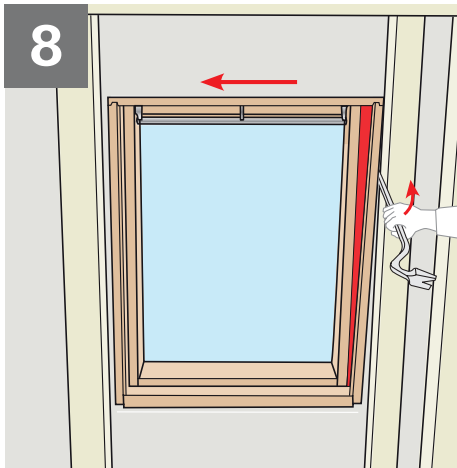
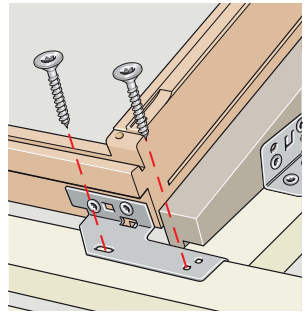
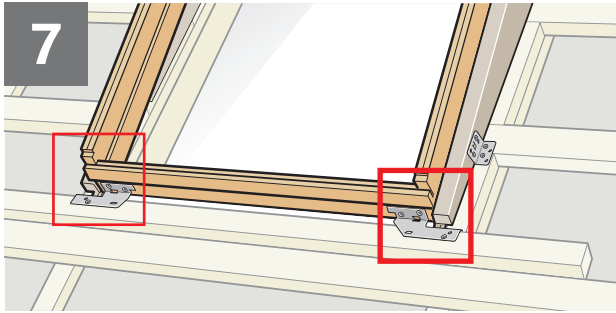


5

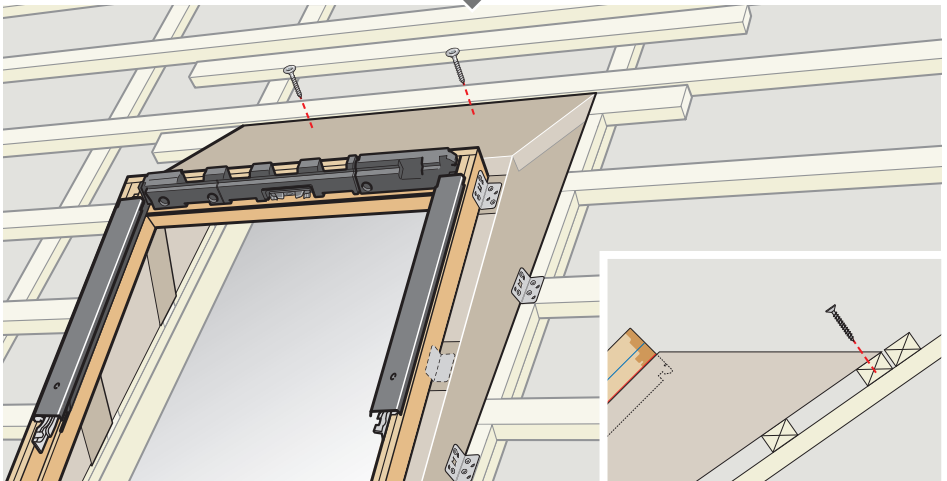
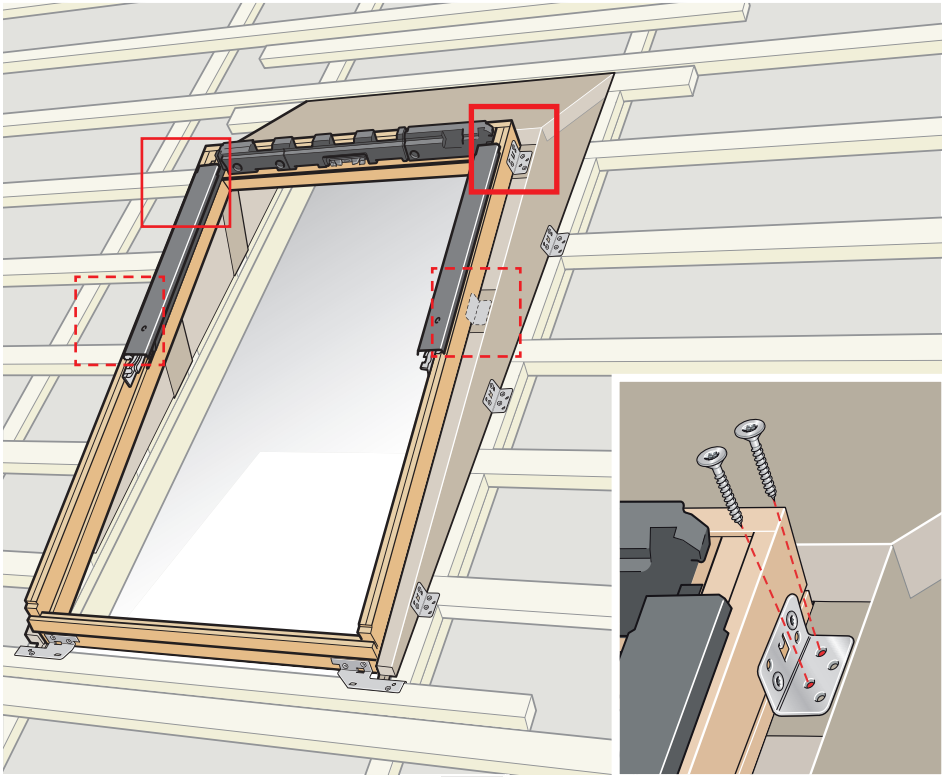
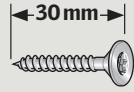


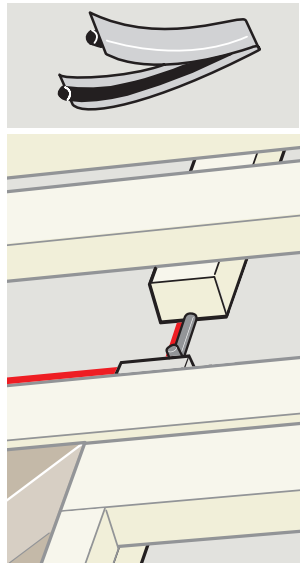
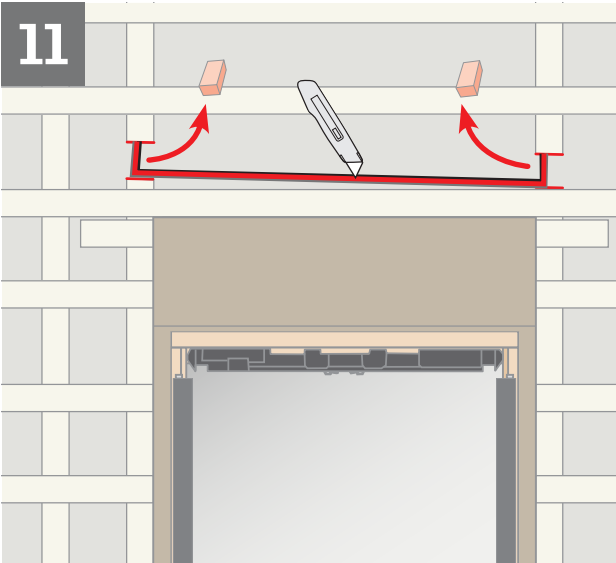
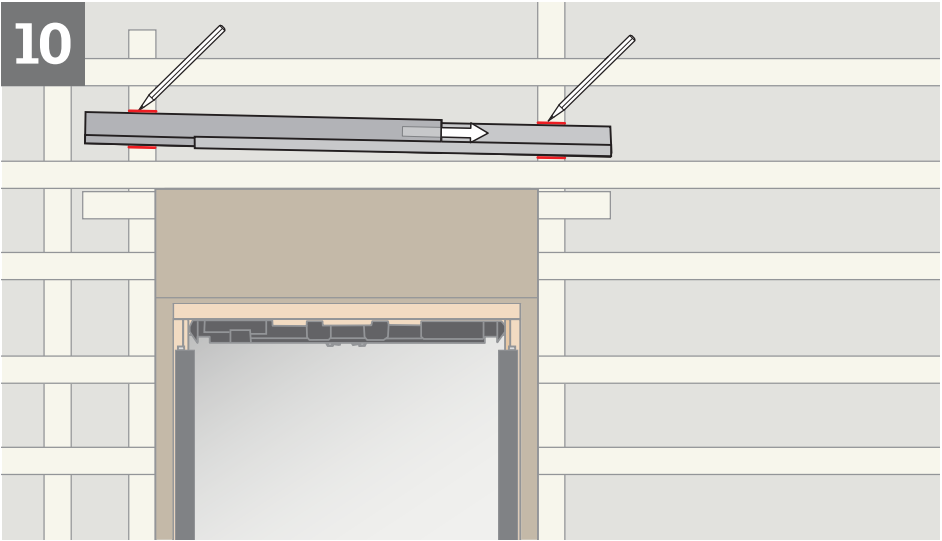
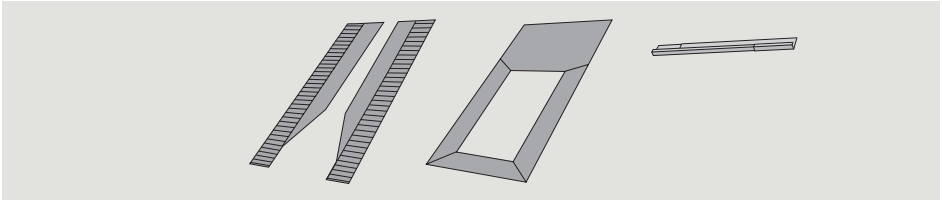
6





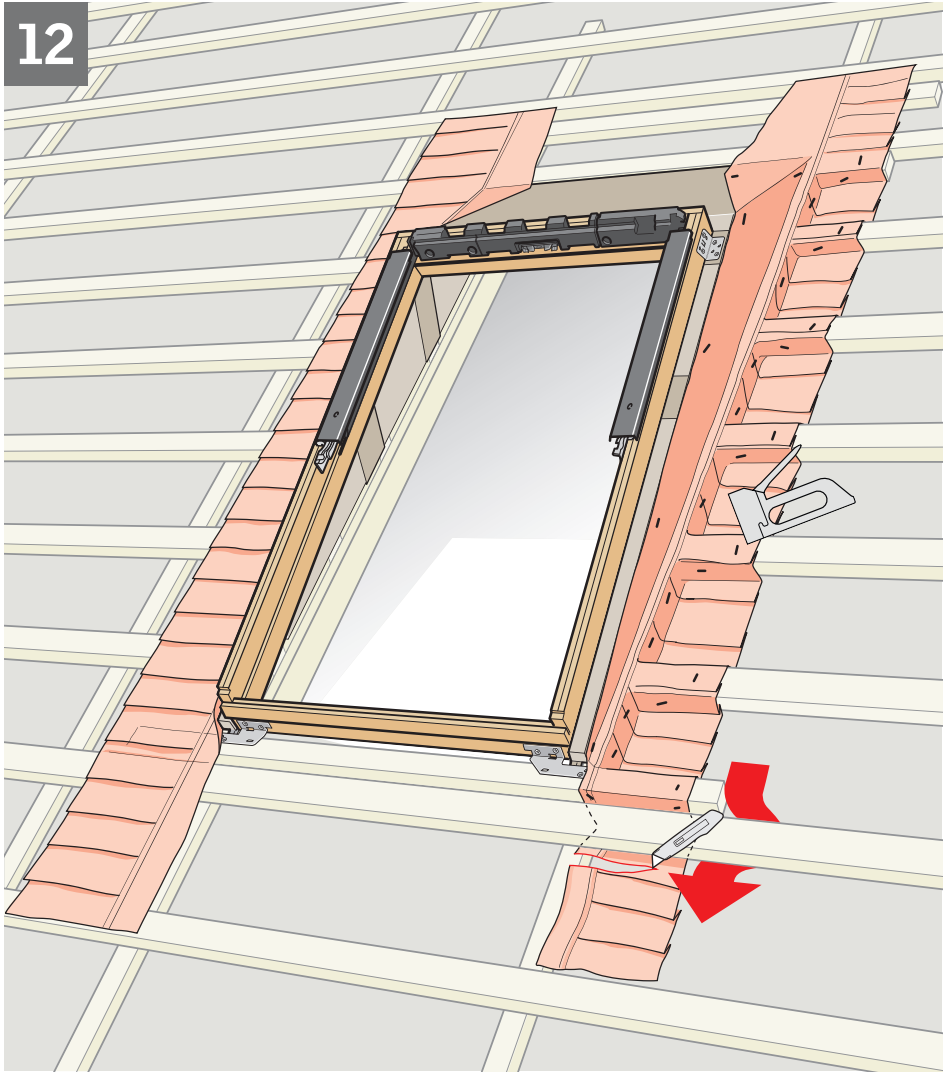
9



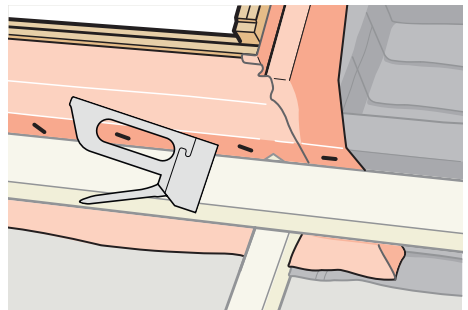
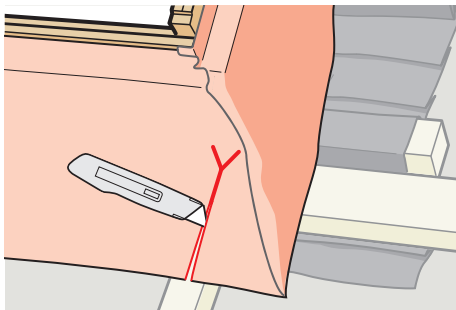
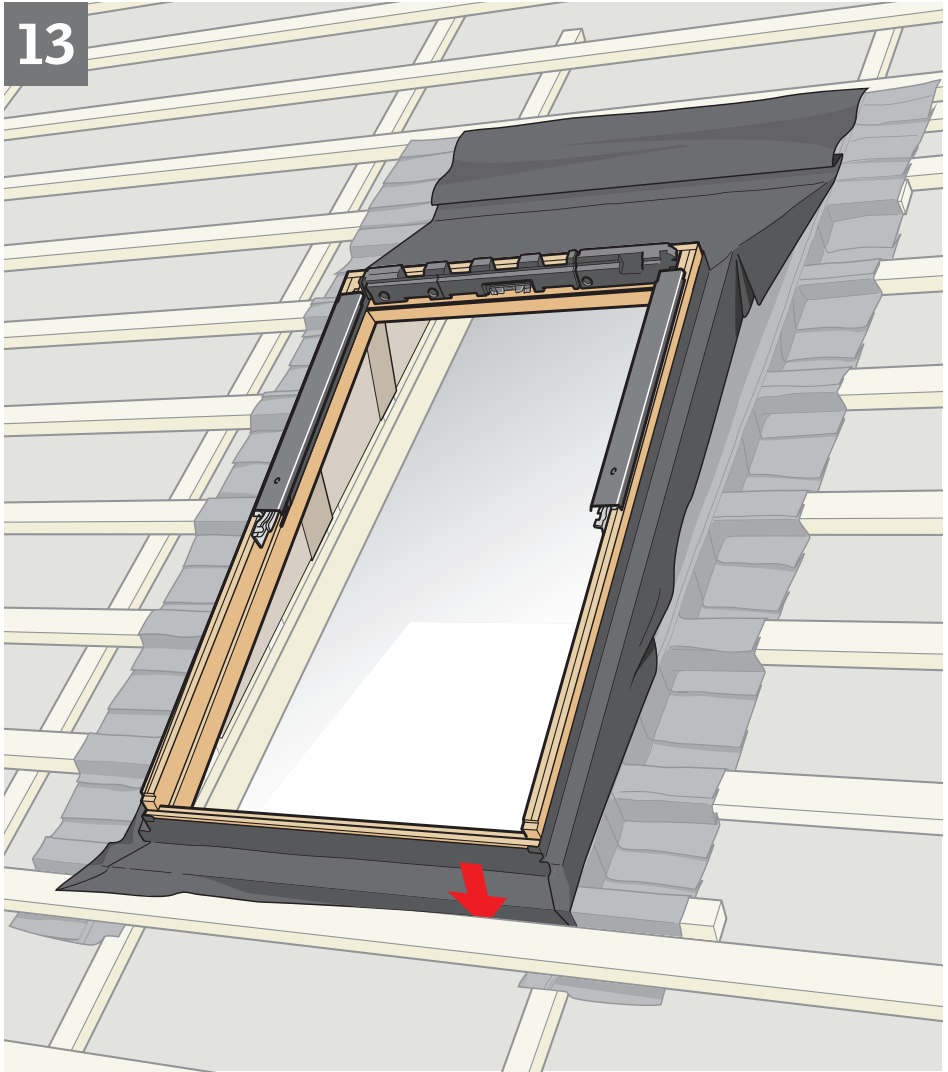




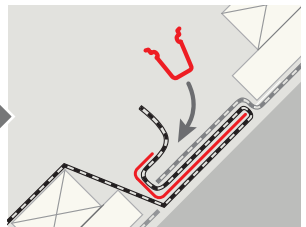
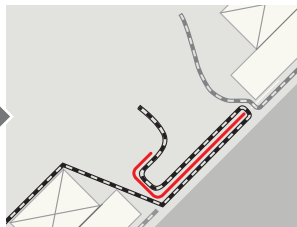
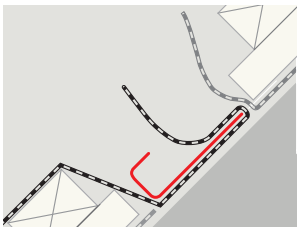
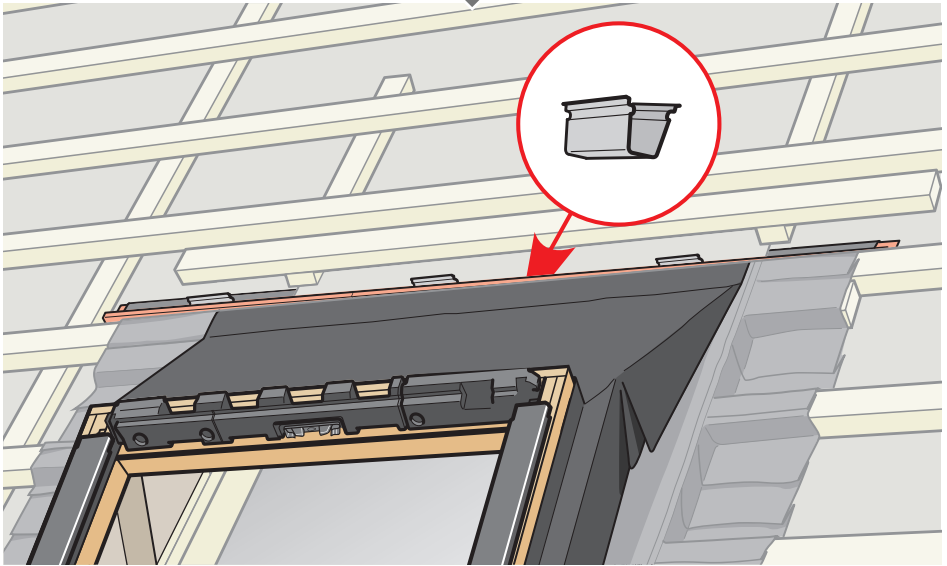
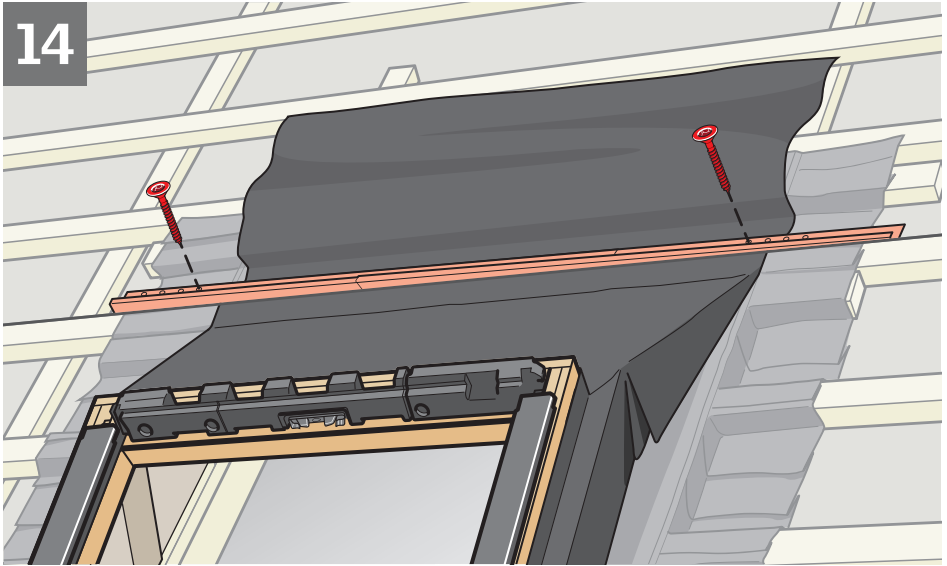
12

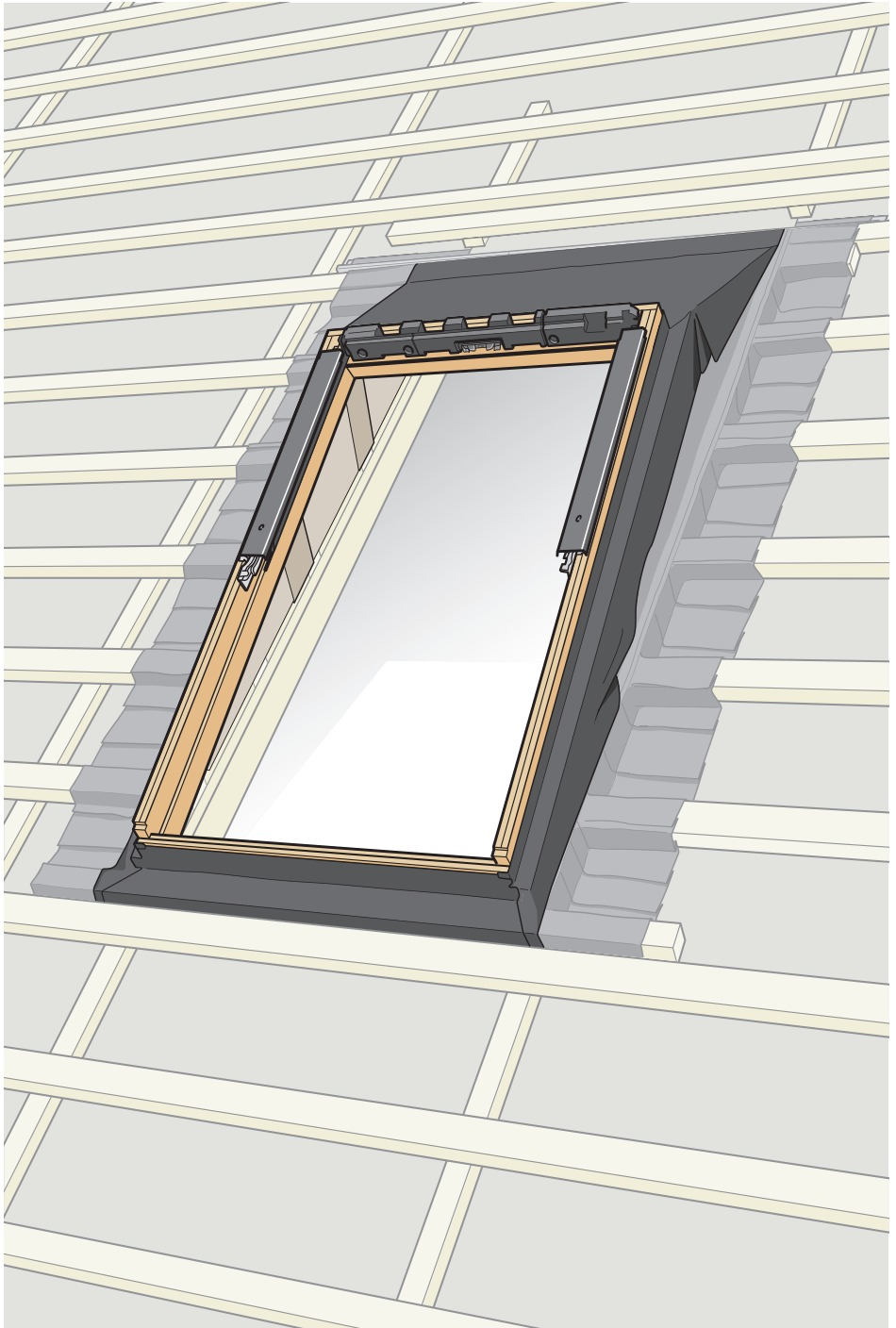


13

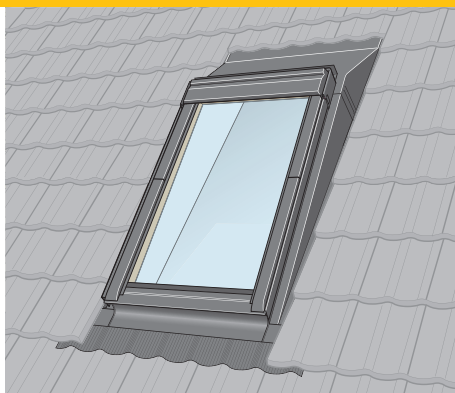
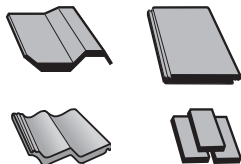


14



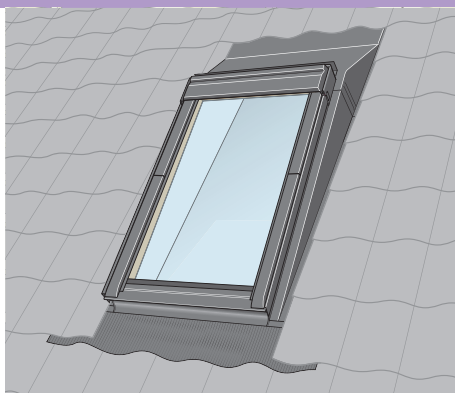
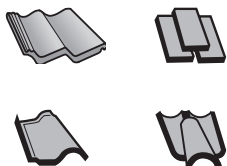


# EAZ



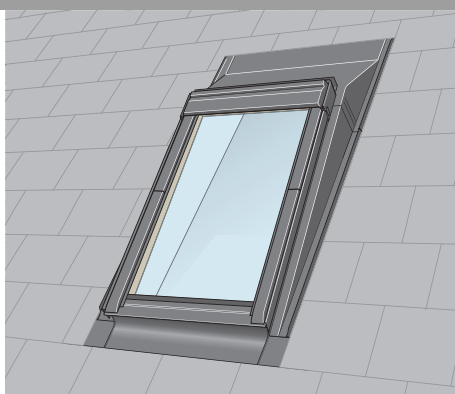
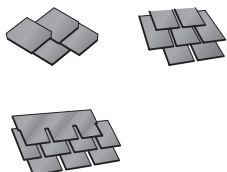
Pages  
14-19

# EAW



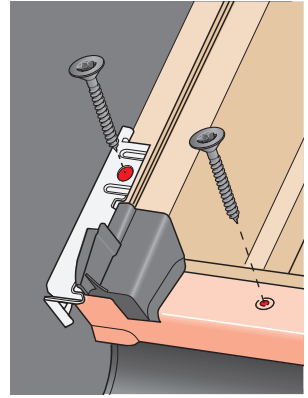
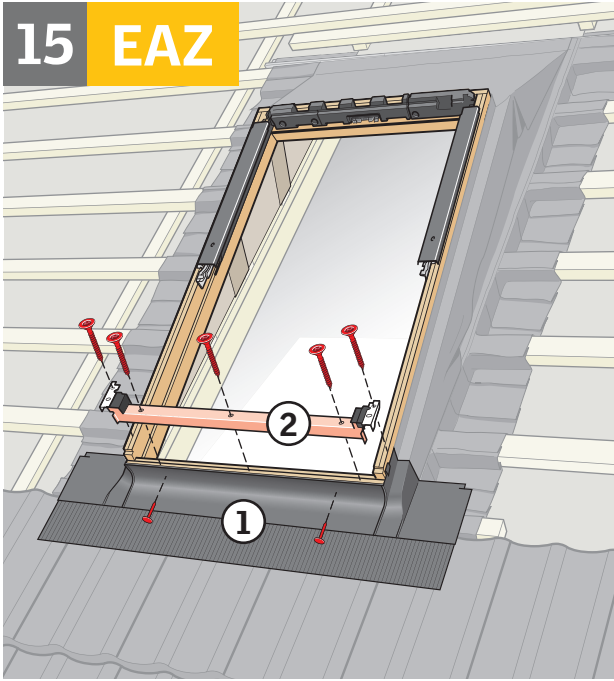
Pages  
20-25

# EAS

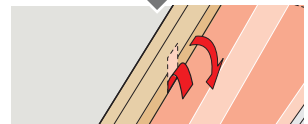
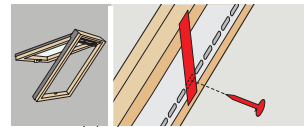
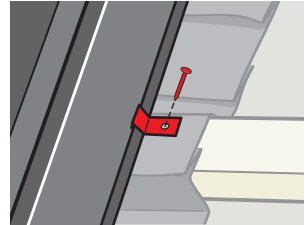
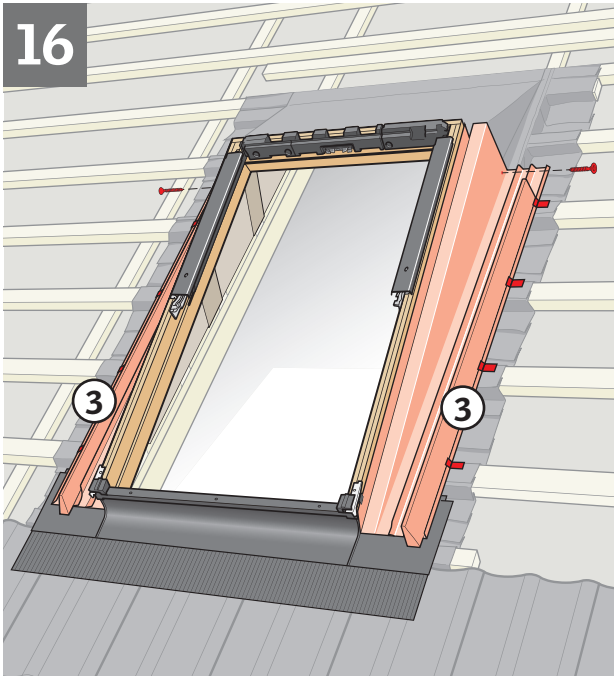


Pages  
26-31

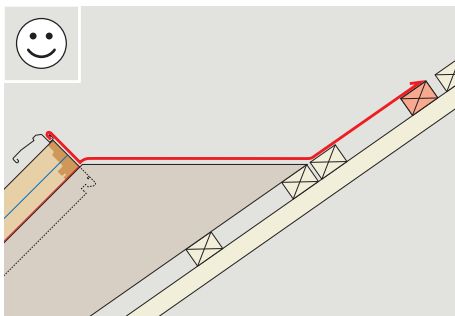
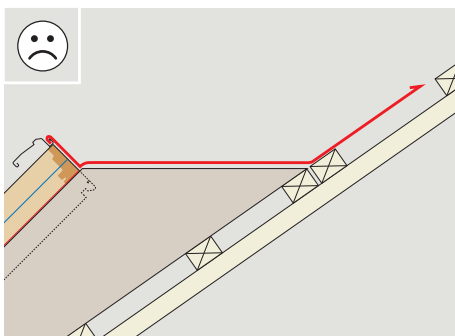
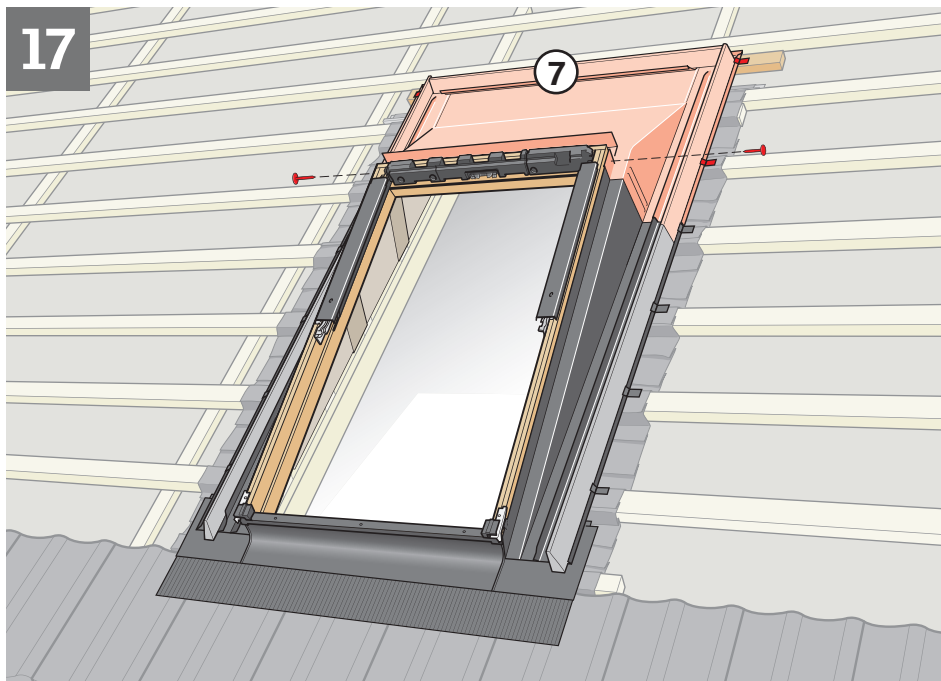
# 15 EAZ



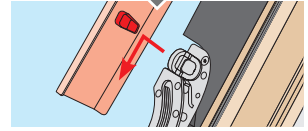
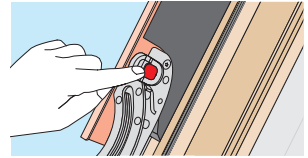
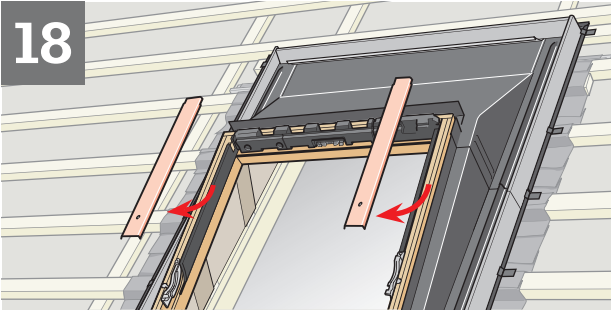
# 16



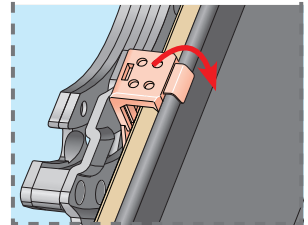
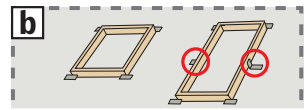
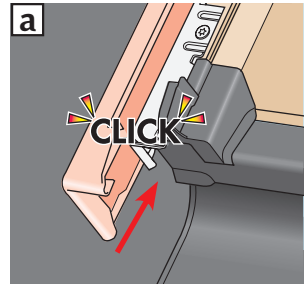
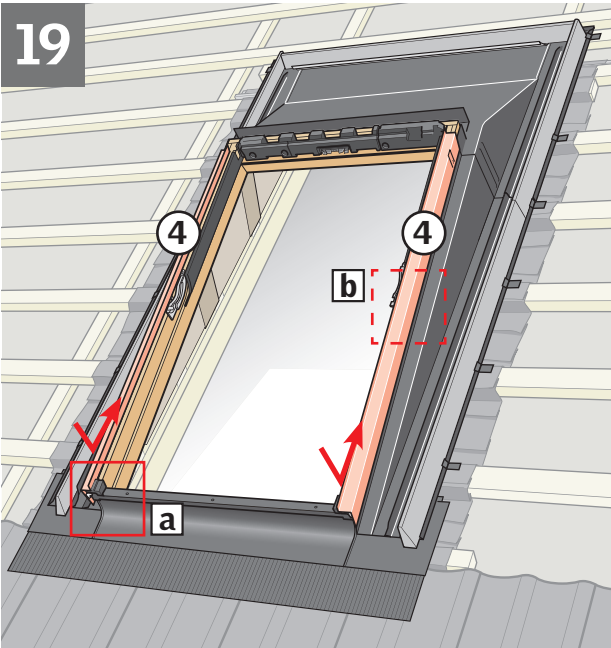
17



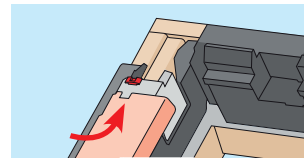
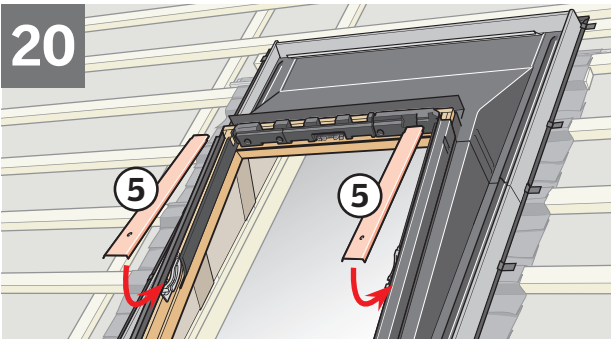
18



19

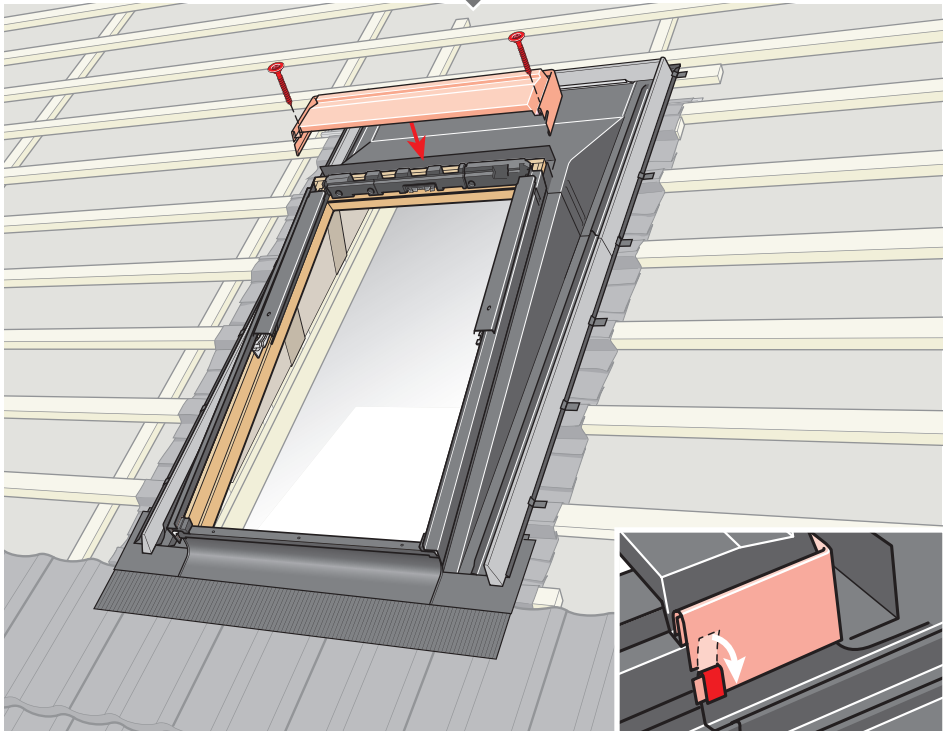
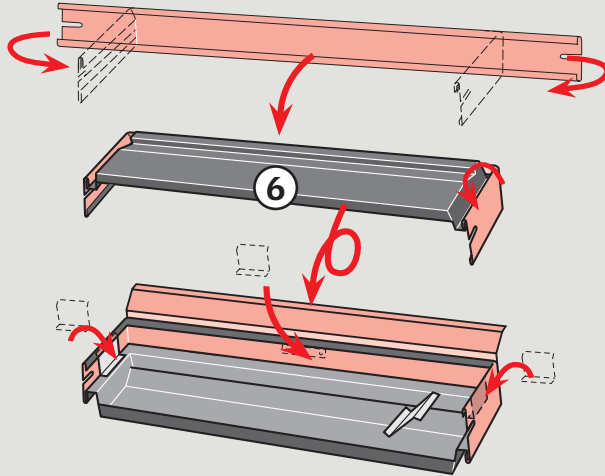


20

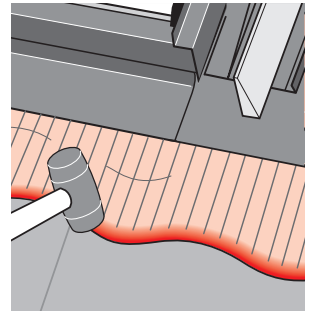
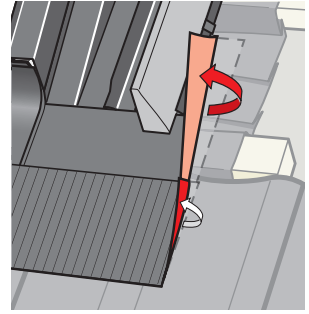
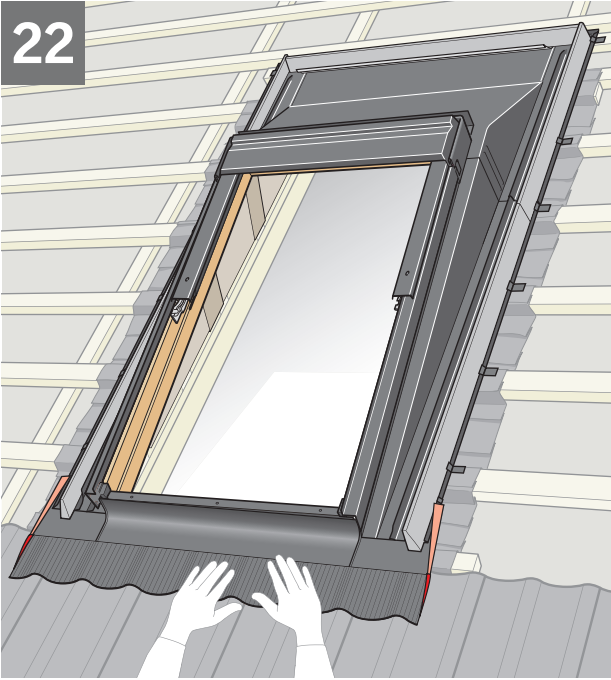




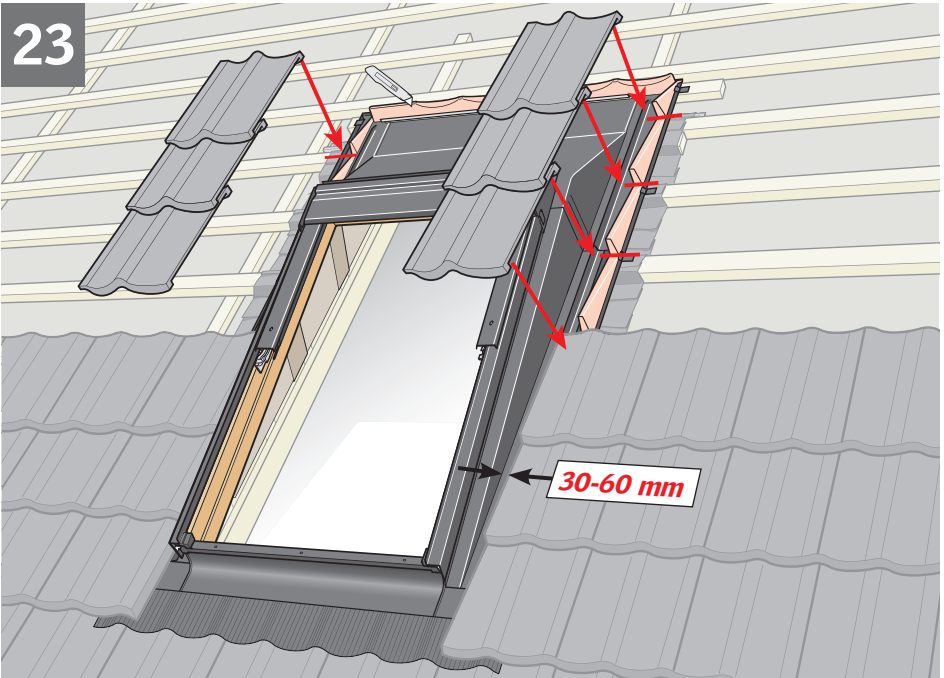
21



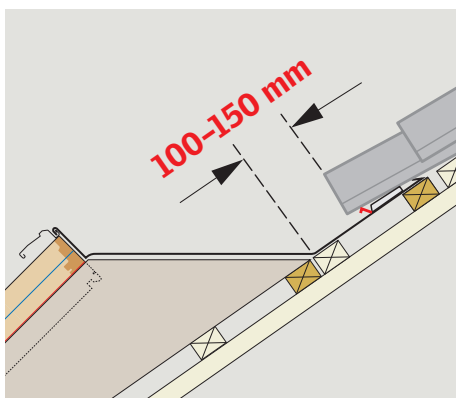
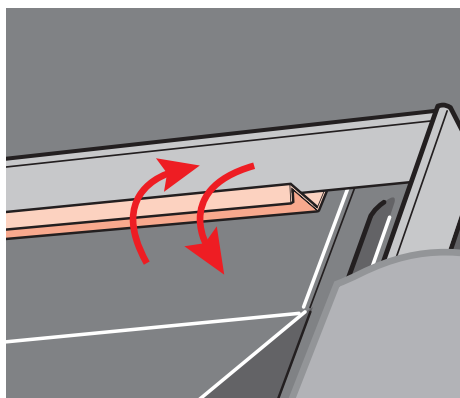
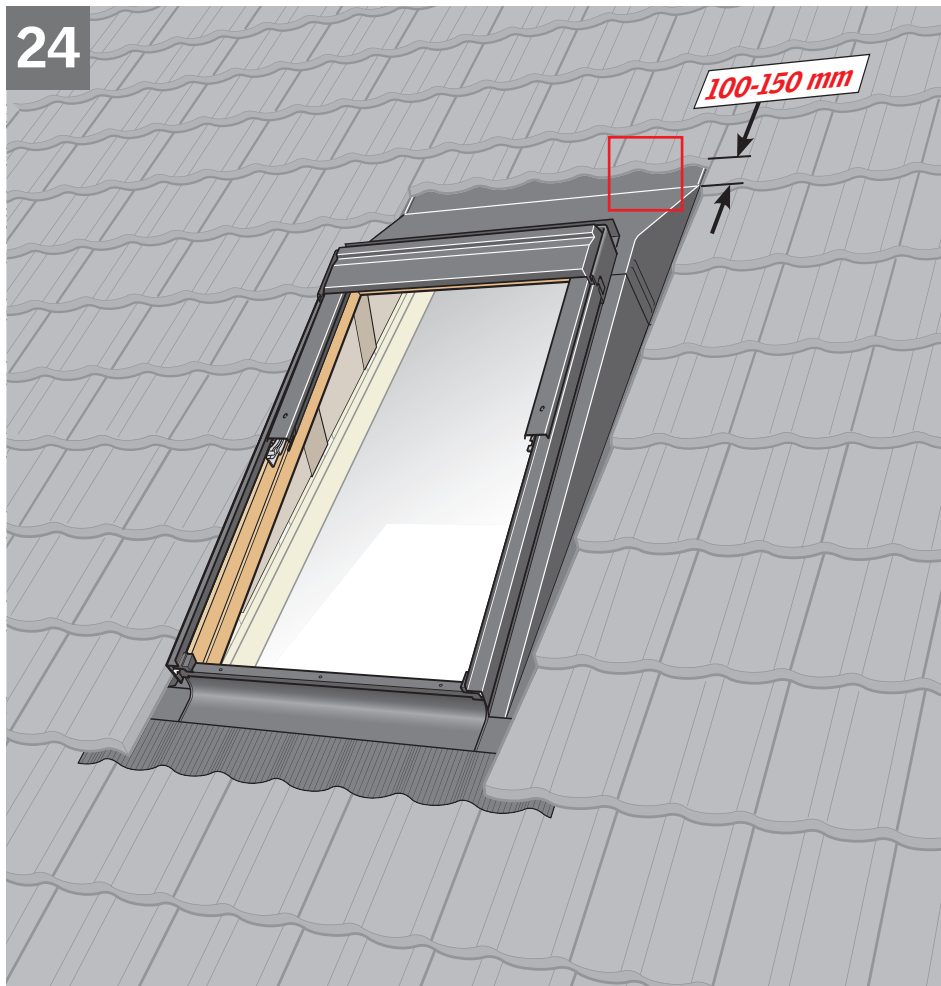
22



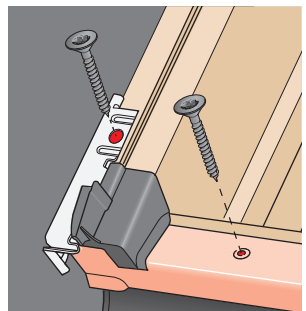
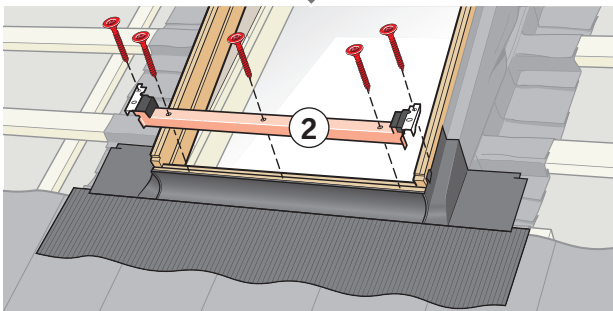
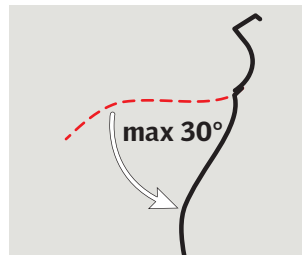
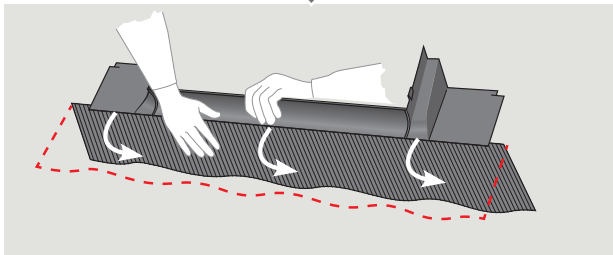
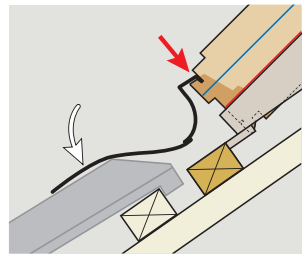
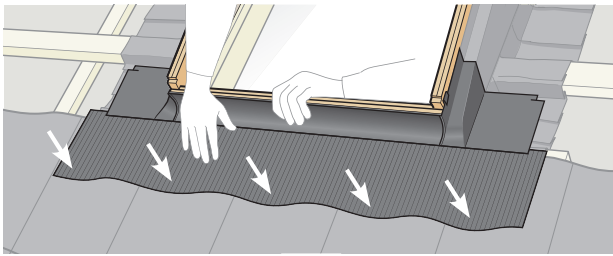
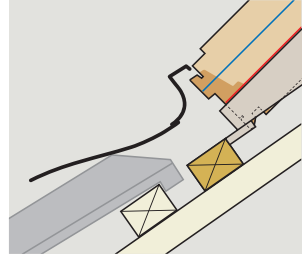
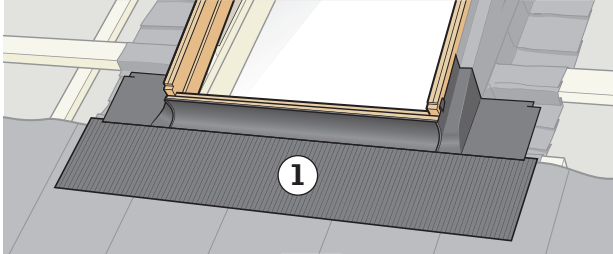
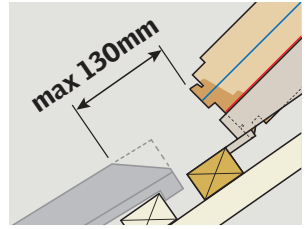
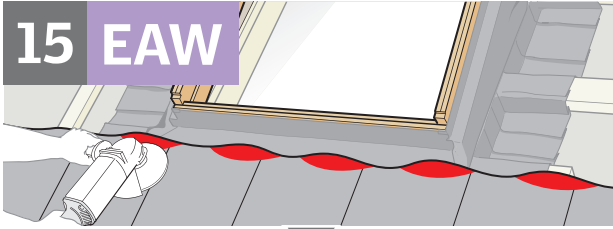
23



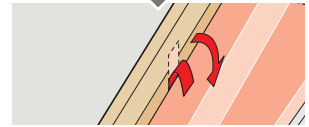
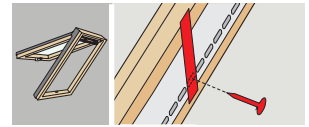
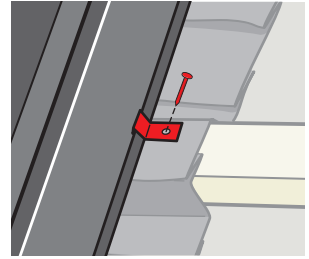
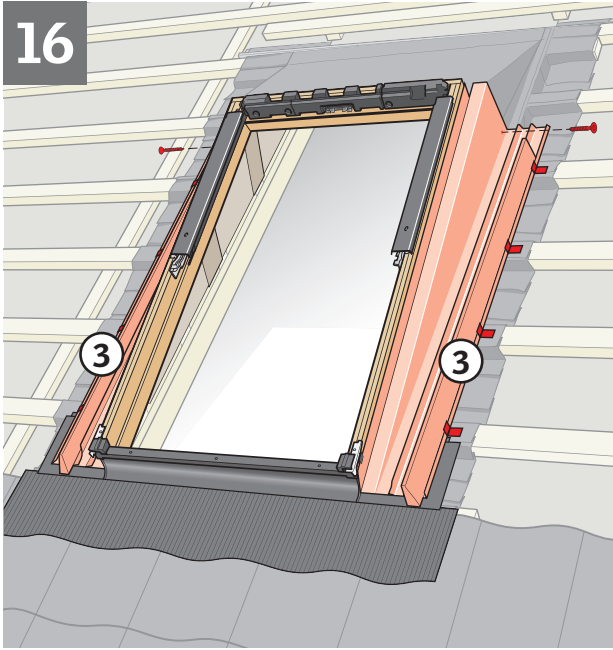
24



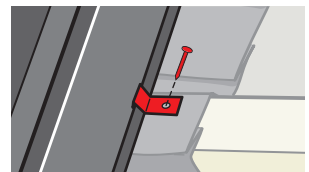
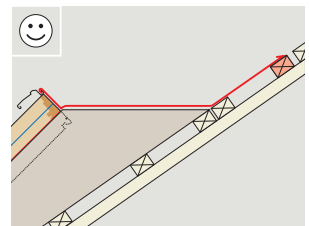
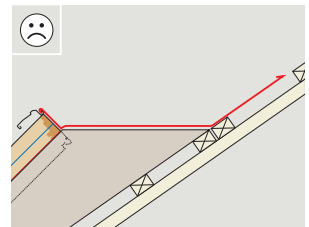
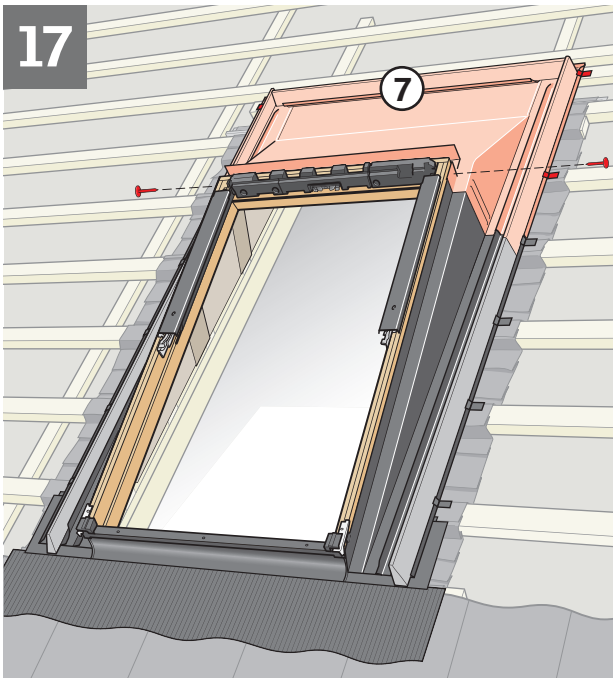
# 15 EAW



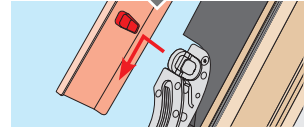
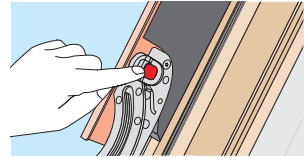
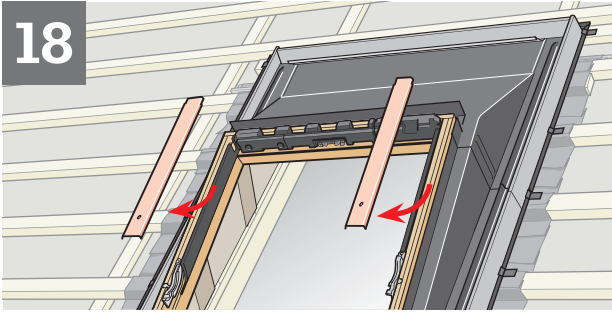
16



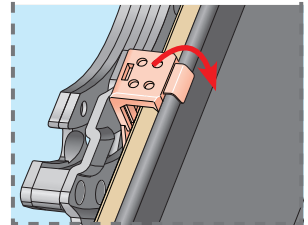
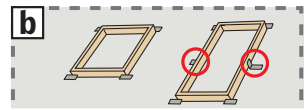
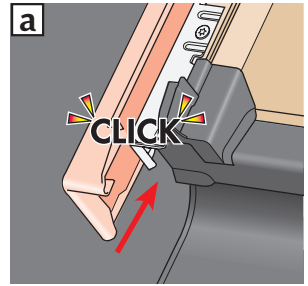
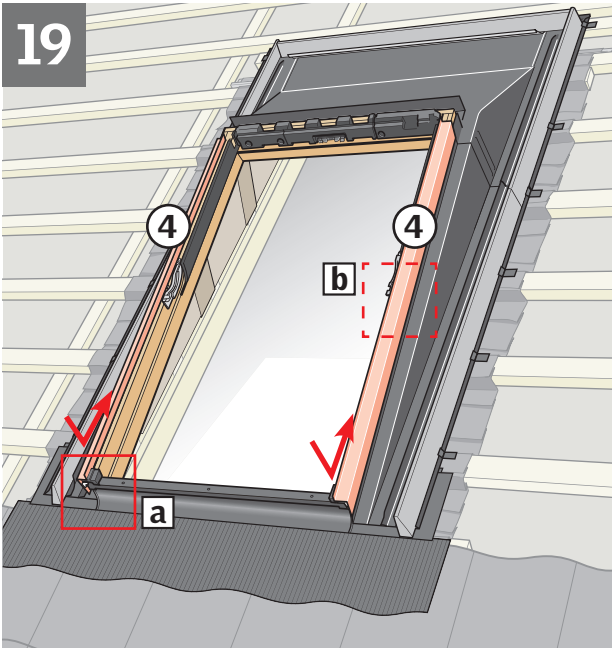
17



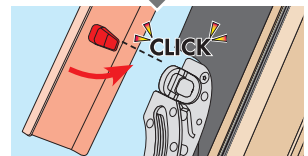
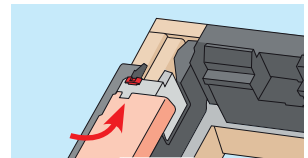
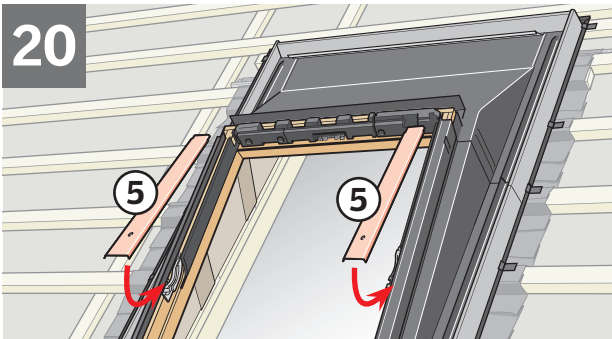
18



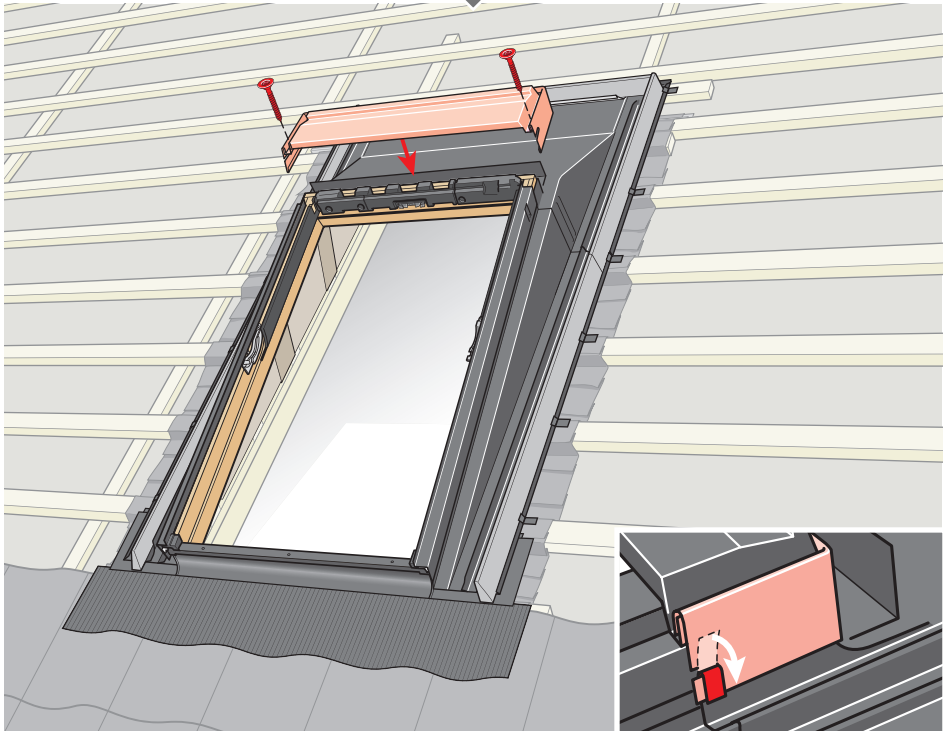
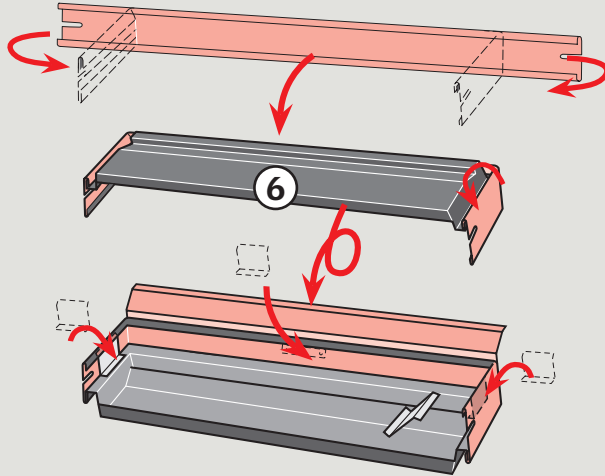
19



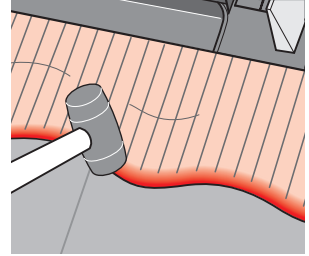
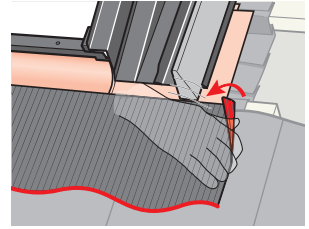
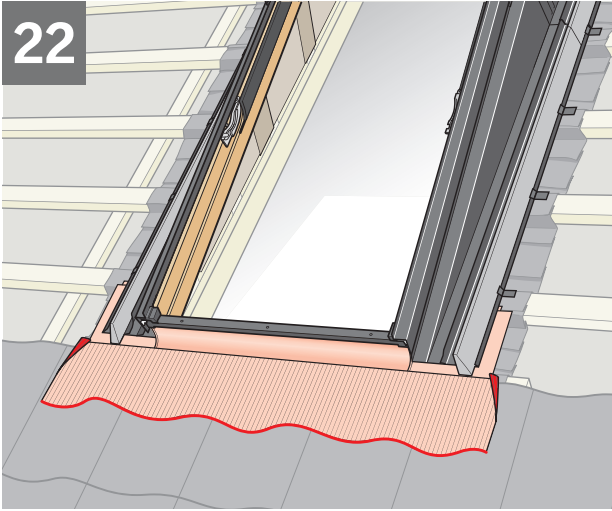
20



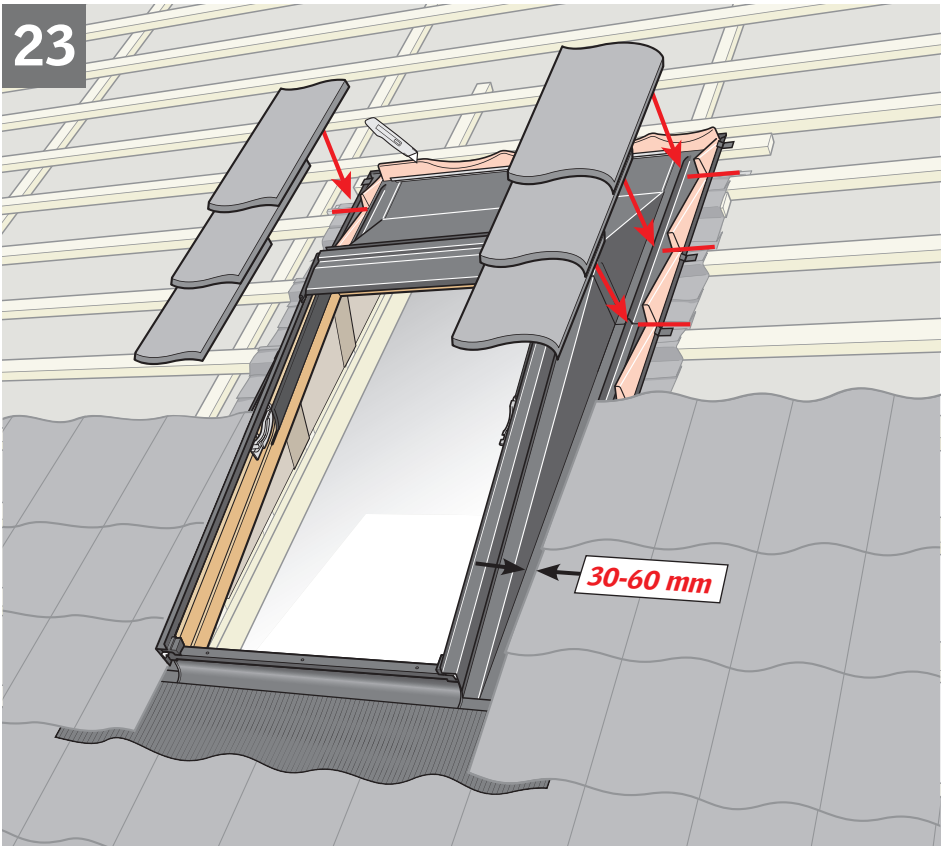
21



22

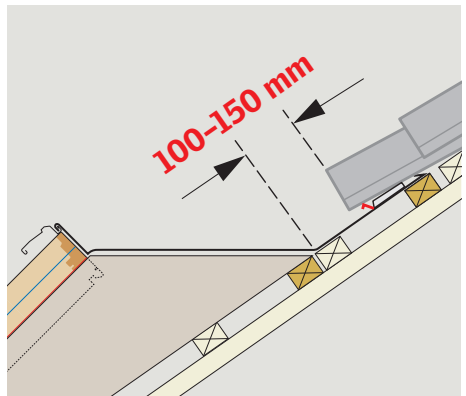
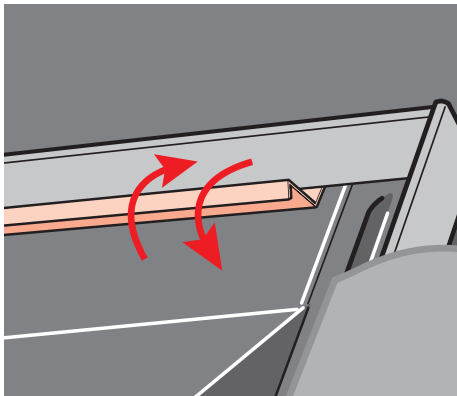
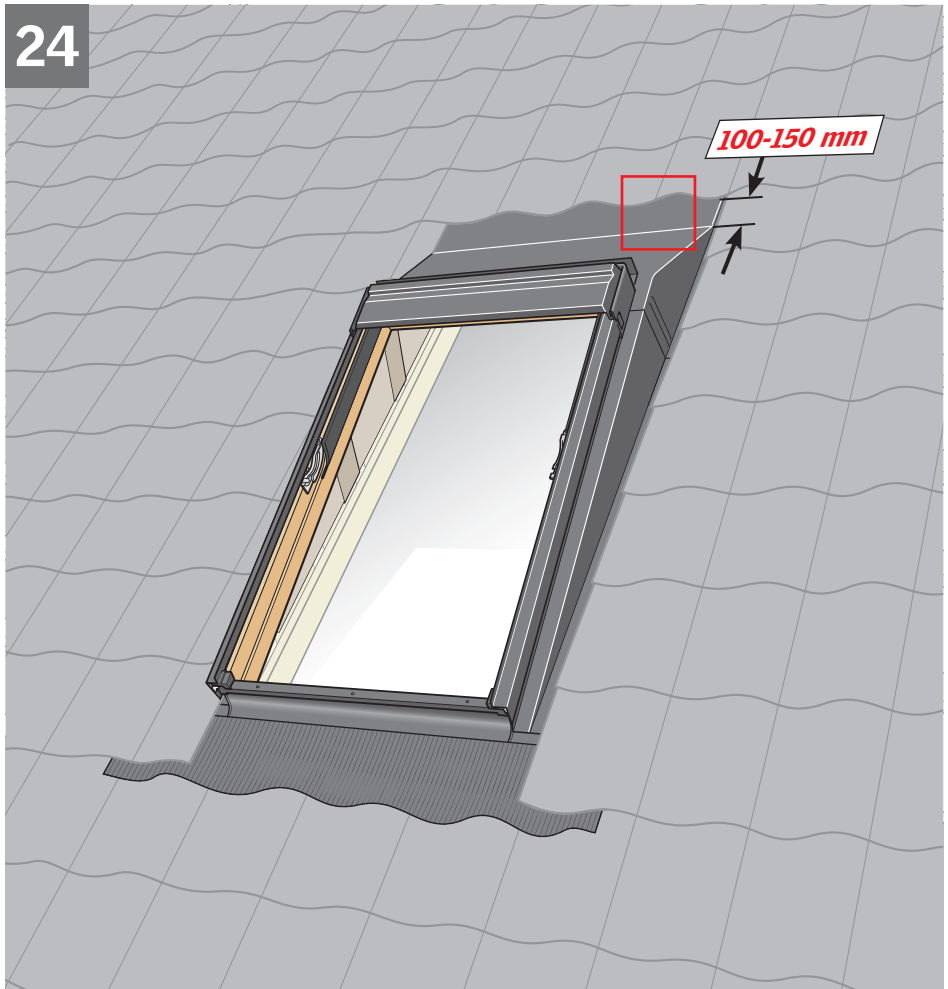


23

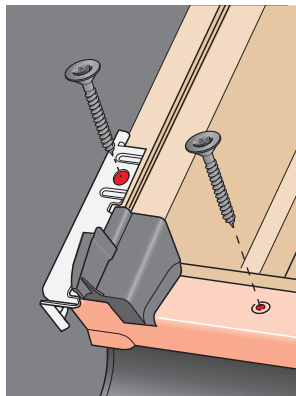
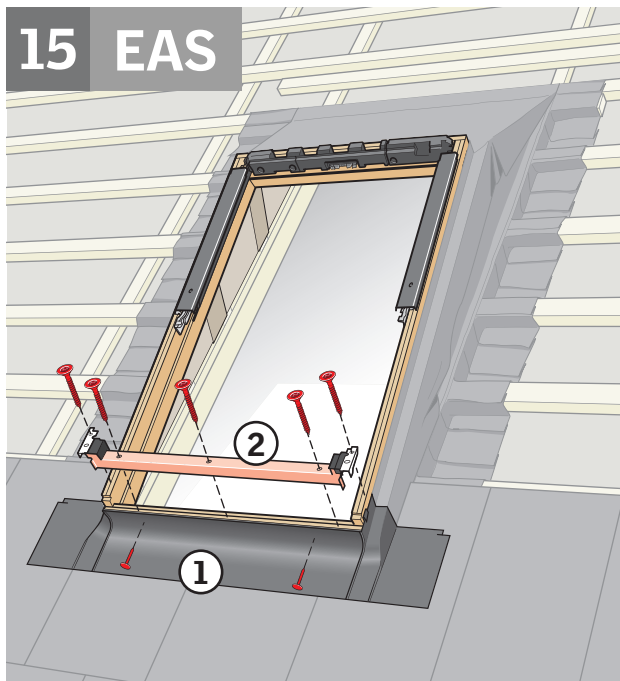




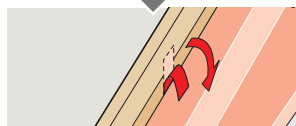
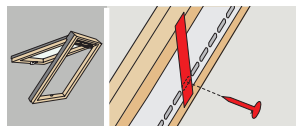
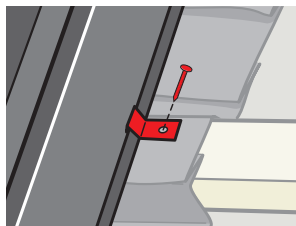
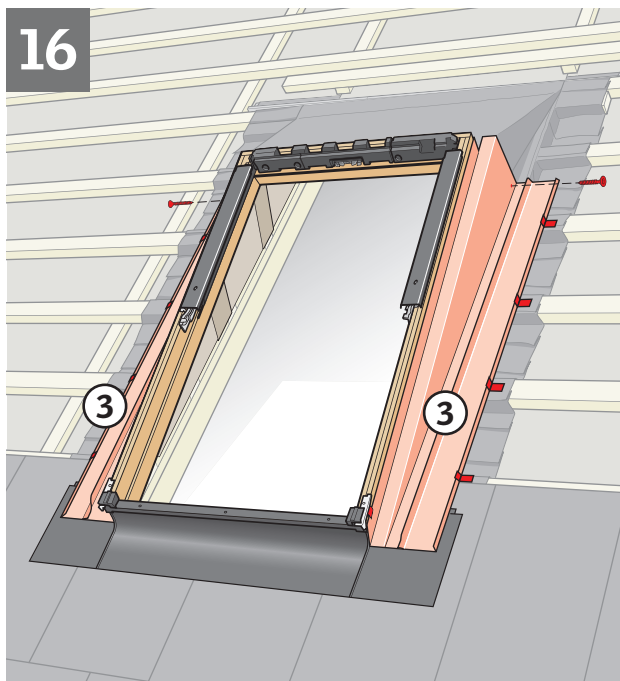
24



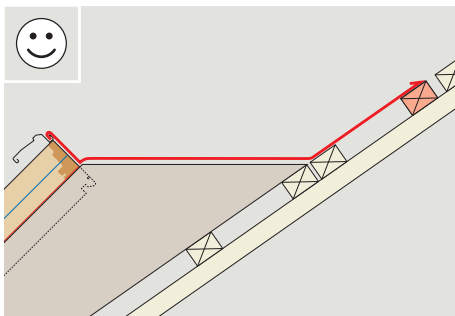
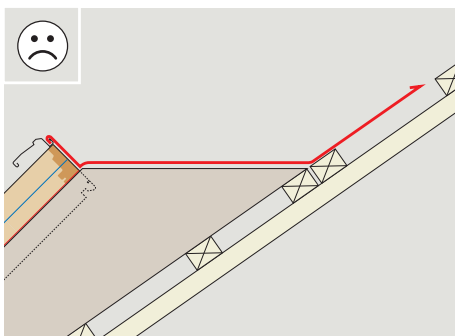
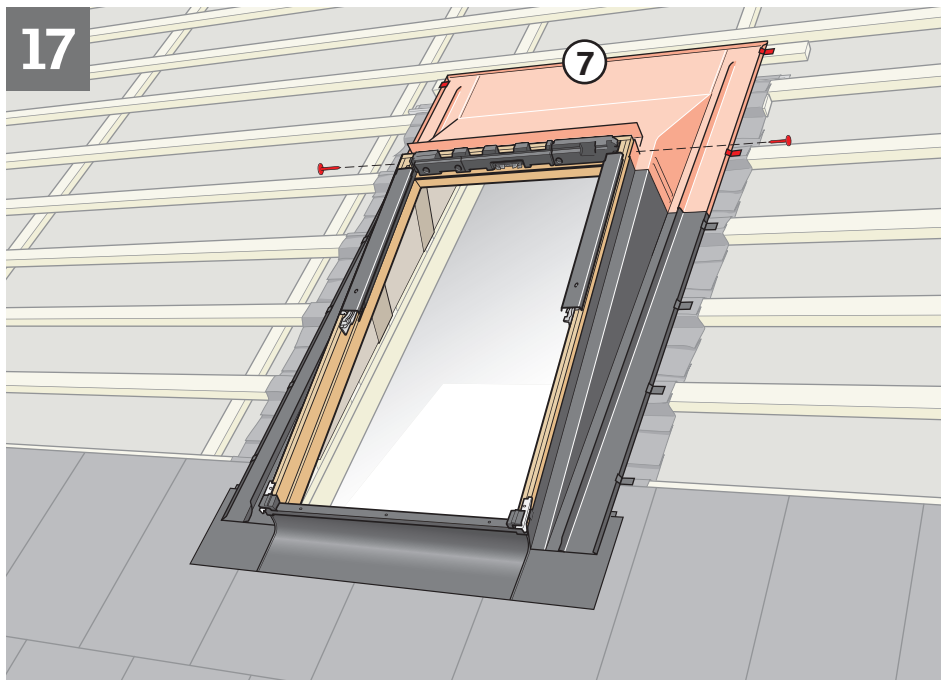
# 15 EAS



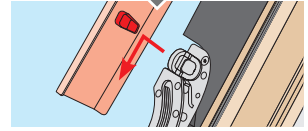
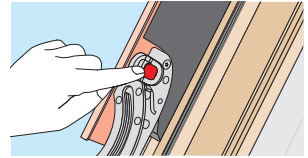
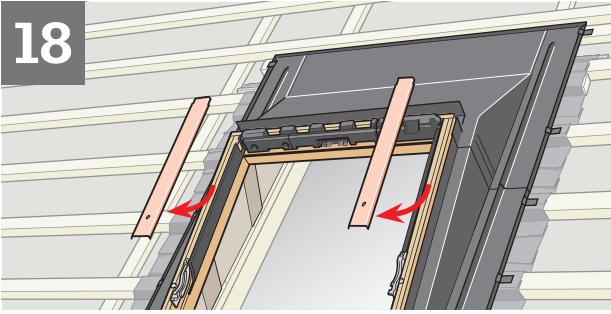
# 16



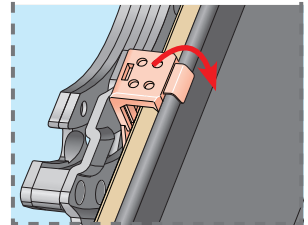
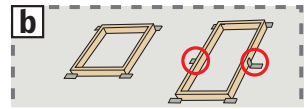
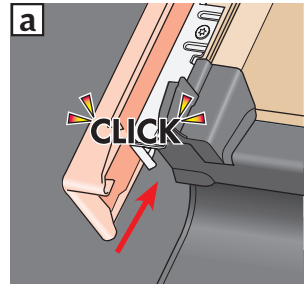
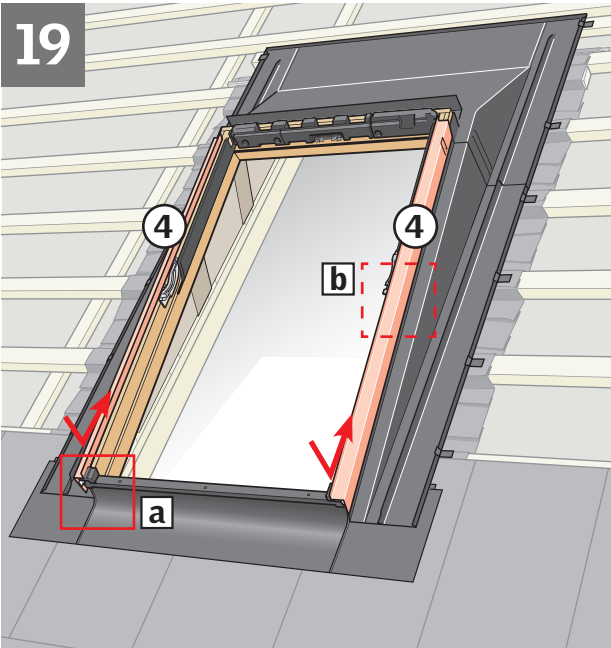
17



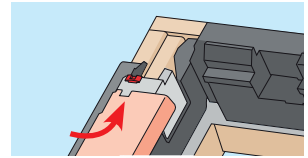
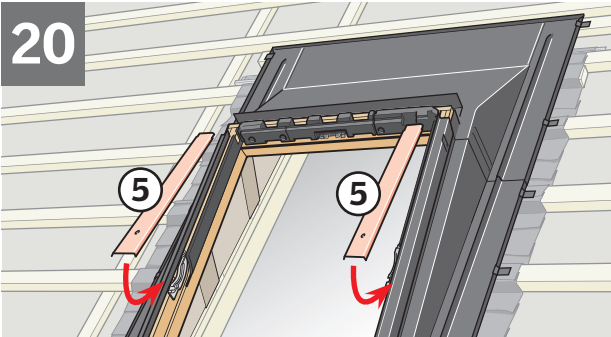
18



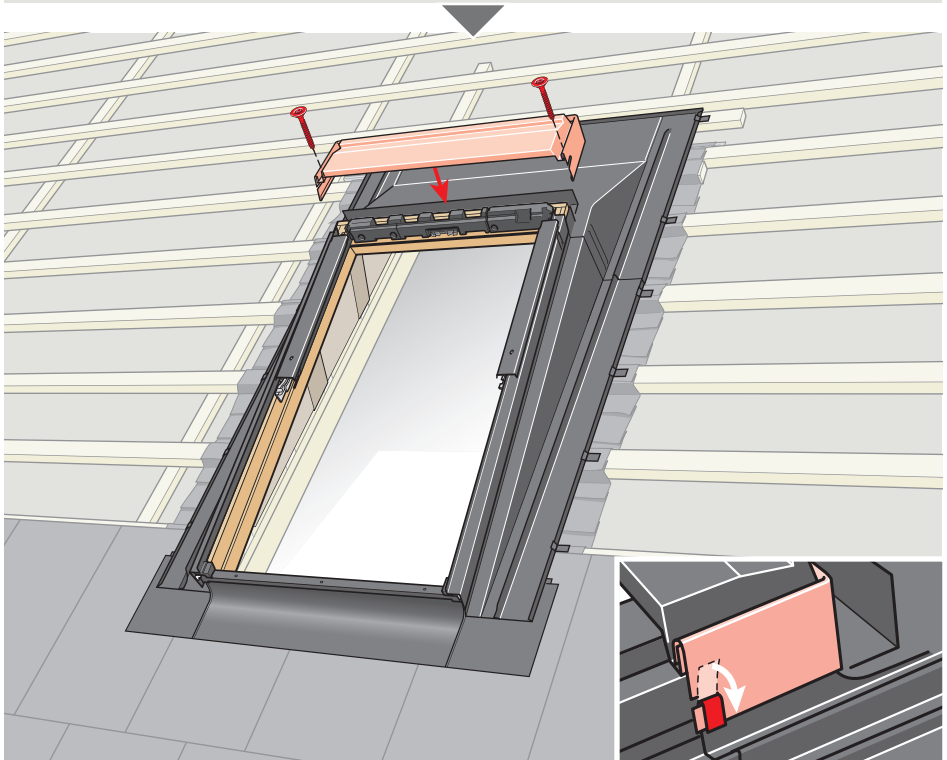
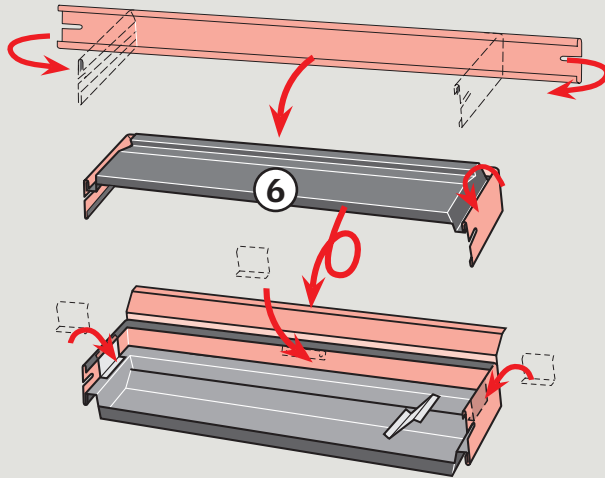
19



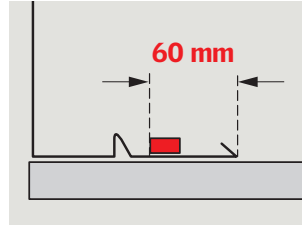
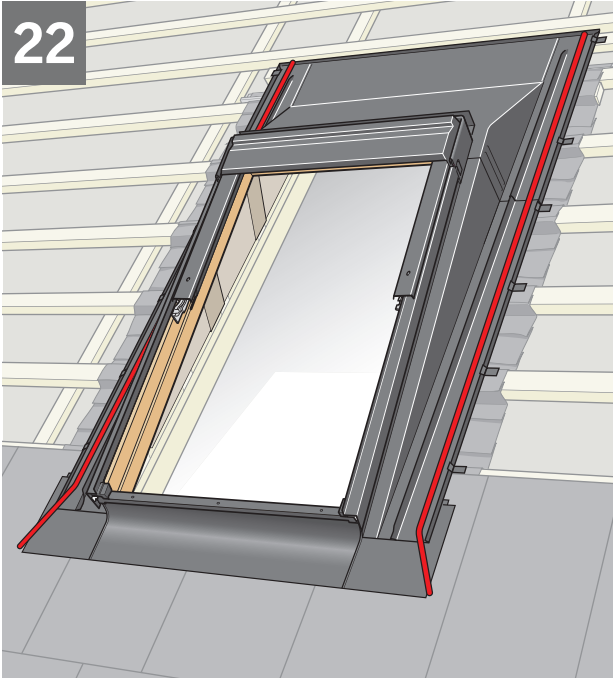
20



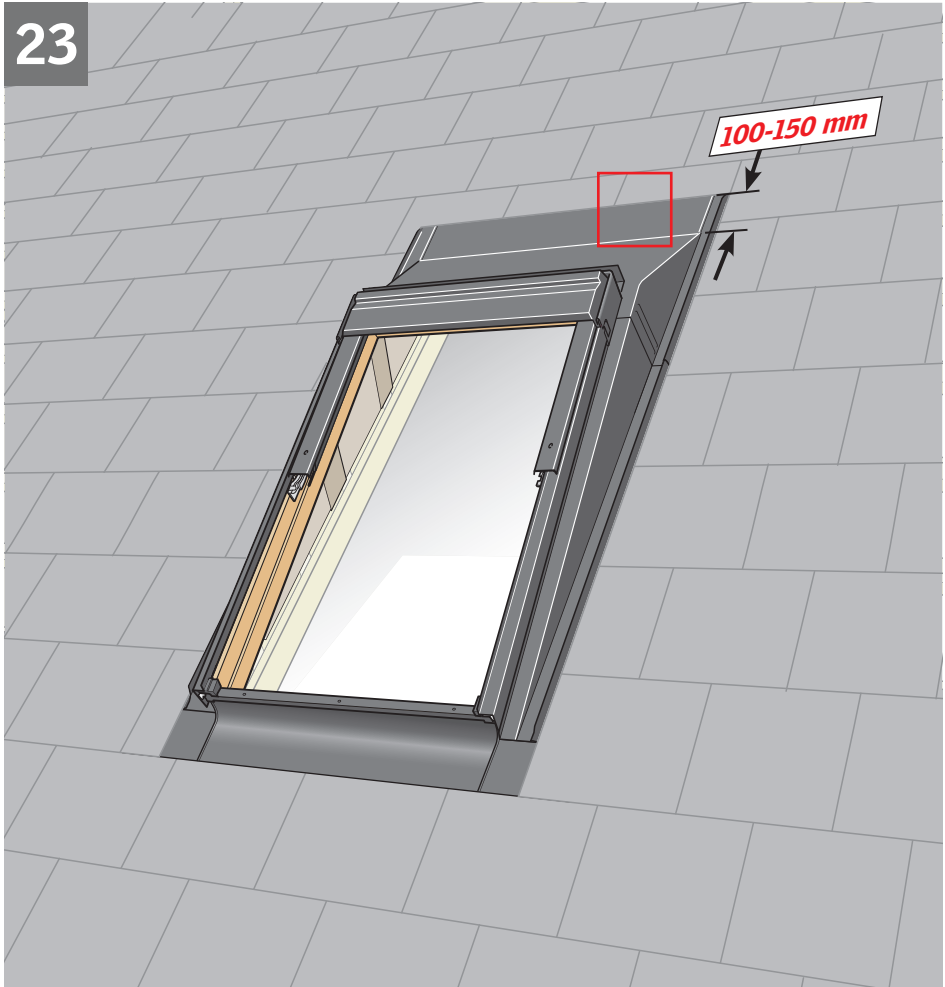
21



22



23



- AR:** VELUX Argentina S.A.  
348 4 639944
- AT:** VELUX Österreich GmbH  
02245/32 3 50
- AU:** VELUX Australia Pty. Ltd.  
1300 859 856
- BA:** VELUX Bosna i Hercegovina d.o.o.  
033/626 493, 626 494
- BE:** VELUX Belgium  
(010) 42.09.09
- BG:** ВЕЛУКС България ЕООД  
02/955 99 30
- BY:** Унитарное предприятие  
"ВЕЛЮКС Мансардные Окна"  
(017) 329 20 89
- CA:** VELUX Canada Inc.  
1 800 88-VELUX (888-3589)
- CH:** VELUX Schweiz AG  
062 289 44 45
- CL:** VELUX Chile Limitada  
2 953 6789
- CN:** VELUX (CHINA) CO. LTD.  
0316-607 27 27
- CZ:** VELUX Česká republika, s.r.o.  
531 015 511
- DE:** VELUX Deutschland GmbH  
01806 / 33 33 99  
Festnetz: 0,20 €/Anruf  
Mobilfunk: max. 0,60 €/Anruf
- DK:** VELUX Danmark A/S  
45 16 45 16
- EE:** VELUX Eesti OÜ  
621 7790
- ES:** VELUX Spain, S.A.  
91 509 71 00
- FI:** VELUX Suomi Oy  
0207 290 800
- FR:** VELUX France  
0821 02 15 15  
0,119€ TTC/min
- GB:** VELUX Company Ltd.  
01592 778 225
- HR:** VELUX Hrvatska d.o.o.  
01/5555 444
- HU:** VELUX Magyarország Kft.  
(06/1) 436-0601
- IE:** VELUX Company Ltd.  
01 848 8775
- IT:** VELUX Italia s.p.a.  
045/6173666
- JP:** VELUX-Japan Ltd.  
0570-00-8145
- LT:** VELUX Lietuva, UAB  
(85) 270 91 01
- LV:** VELUX Latvia SIA  
67 27 77 33
- NL:** VELUX Nederland B.V.  
030 - 6 629 629
- NO:** VELUX Norge AS  
22 51 06 00
- NZ:** VELUX New Zealand Ltd.  
0800 650 445
- PL:** VELUX Polska Sp. z o.o.  
(022) 33 77 000 / 33 77 070
- PT:** VELUX Portugal, Lda  
21 880 00 60
- RO:** VELUX România S.R.L.  
0-8008-83589
- RS:** VELUX Srbija d.o.o.  
011 20 57 500
- RU:** ЗАО ВЕЛЮКС  
(495) 640 87 20
- SE:** VELUX Svenska AB  
042/20 83 80
- SI:** VELUX Slovenija d.o.o.  
01 724 68 68
- SK:** VELUX Slovensko, s.r.o.  
(02) 33 000 555
- TR:** VELUX Çatı Pencereleri  
Ticaret Limited Şirketi  
0 216 302 54 10
- UA:** ТОВ "ВЕЛЮКС Україна"  
(044) 2916070
- US:** VELUX America LLC  
1-800-88-VELUX